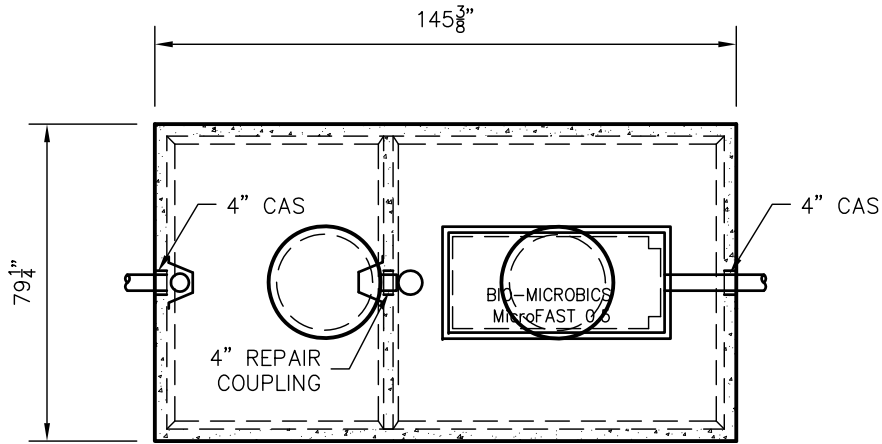


W975/1425 BIO – 500 GPD MICROFAST® 0.5 TANK SPECIFICATIONS



TOP VIEW

DIMENSIONS:

- WALL: 3"
- BOTTOM: 3"
- COVER: 5"
- MANHOLE: 24" I.D. PRECAST CONCRETE RISER
- HEIGHT: 76 1/4" O.D.
- LENGTH: 145 1/2" O.D.
- WIDTH: 79 1/4" O.D.
- BELOW INLET: 65" O.D.
- LIQUID LEVEL: 60"
- WEIGHT: 20,095 LBS

INLET AND OUTLET:

4" CAST-A-SEAL (CAS) BOOT OR EQUAL

INLET AND OUTLET BAFFLES:

AS SHOWN

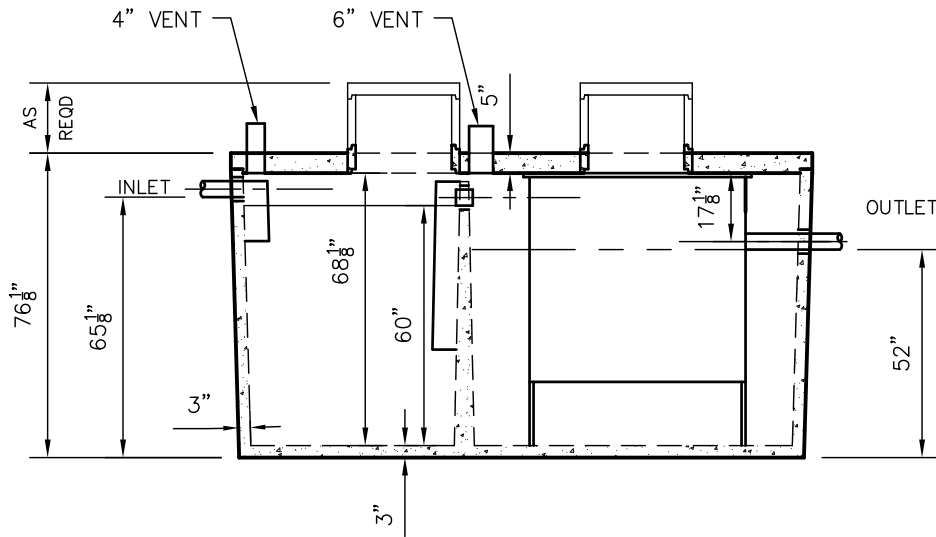
LIQUID CAPACITY: 16.12 GAL/IN (SEPTIC)
24.91 GAL/IN (BIO)

LOADING DESIGN: 8'-0" UNSATURATED SOIL

COVER: MIX DESIGN #8 (NO FIBER)
TANK: MIX DESIGN #9 (SMALL FIBER)

CUSTOMIZED TANKS:

FOR CUSTOM TANKS CONTACT WIESER CONCRETE



SIDE VIEW

TANKS ARE MANUFACTURED TO MEET OR EXCEED ASTM C-1227 REQUIREMENTS

DRAWINGS SUBMITTED FOR APPROVAL	
APPROVED BY: _____	_____
APPROVAL DATE: _____	_____
PRODUCTS NEEDED BY: _____	_____

DRAWN BY: WCP	SCALE: 1/4" = 1'-0"	PRE-FOUR:	POST-POUR:
DATE: 00/00/00	REV. DATE:		
<p>WIESER CONCRETE W3716 US HWY 10 MAIDEN ROCK, WI 54750 800-325-8456</p>			
<p>W975/1425 BIO 500 GPD SEPTIC MANUAL</p>		<p>SHEET NO. 1 OF 1</p>	