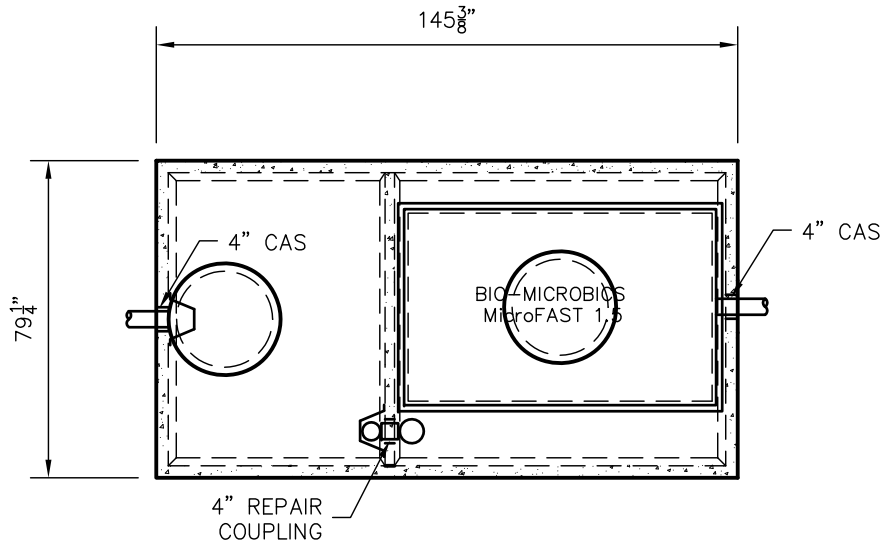
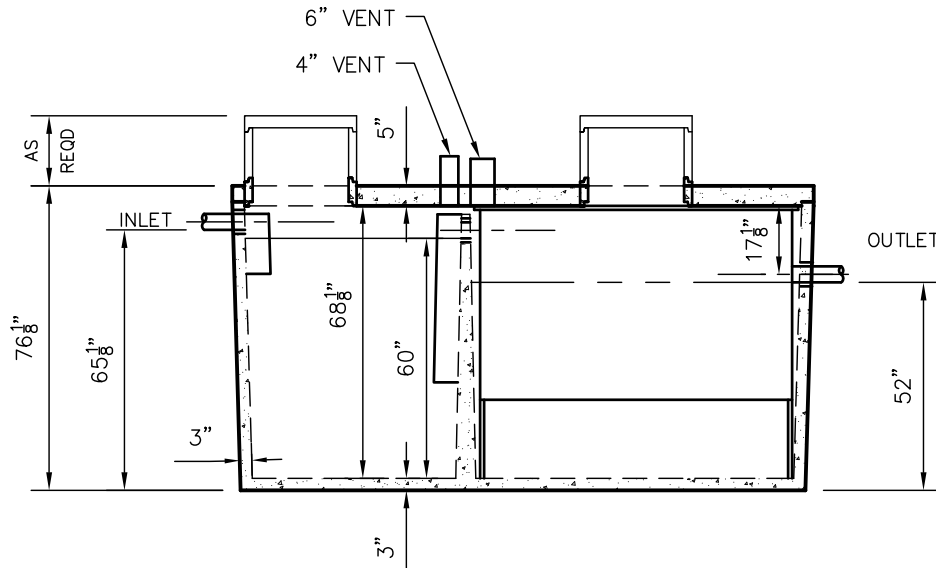


W975/1425 BIO – 1500 GPD MICROFAST®1.5 TANK SPECIFICATIONS



TOP VIEW



SIDE VIEW

DIMENSIONS:

- WALL: 3"
- BOTTOM: 3"
- COVER: 5"
- MANHOLE: 24" I.D. PRECAST CONCRETE RISER
- HEIGHT: 76" O.D.
- LENGTH: 145 1/2" O.D.
- WIDTH: 79 1/4" O.D.
- BELOW INLET: 61" O.D.
- LIQUID LEVEL: 60"
- WEIGHT: 20,095 LBS

INLET AND OUTLET:

4" CAST-A-SEAL (CAS) BOOT OR EQUAL

INLET AND OUTLET BAFFLES:

AS SHOWN

LIQUID CAPACITY: 16.12 GAL/IN (SEPTIC)

24.91 GAL/IN (BIO)

LOADING DESIGN: 8'-0" UNSATURATED SOIL

COVER: MIX DESIGN #8 (NO FIBER)

TANK: MIX DESIGN #9 (SMALL FIBER)

CUSTOMIZED TANKS:

FOR CUSTOM TANKS CONTACT WIESER CONCRETE

**DRAWINGS SUBMITTED
FOR APPROVAL**

APPROVED BY: _____
APPROVAL DATE: _____
PRODUCTS NEEDED BY: _____

TANKS ARE MANUFACTURED TO MEET OR EXCEED ASTM C-1227 REQUIREMENTS

PRE-POUR:

POST-POUR:

SCALE: 1/4"=1'-0"

REV. DATE:

DRAWN BY: WCP

DATE: 00/00/00

FILE: W975/1425 BIO MICROFAST 1500

WIESER CONCRETE

W3716 US HWY 10 MAIDEN ROCK, WI 54750

800-325-8456

W975/1425 BIO 1500 GPD

SEPTIC MANUAL

SHEET NO.

1 OF 1