

W6010 BIO – 4500 GPD
 MICROFAST® 4.5
 OR HIGH STRENGTH FAST® 4.5
TANK SPECIFICATIONS

DIMENSIONS:

WALL: 3"
 BOTTOM: 5"
 COVER: 5"
 MANHOLE: 24" I.D. PRECAST CONCRETE RISER
 HEIGHT: 90" O.D.
 LENGTH: 182-3/4" O.D.
 WIDTH: 100-3/4" O.D.
 BELOW INLET: 67 1/4" O.D.
 LIQUID LEVEL: 79 1/2"
 WEIGHT: 14,350 LBS PER SECTION

INLET AND OUTLET:

4" CAST-A-SEAL (CAS) BOOT OR EQUAL

INLET AND OUTLET BAFFLE:

AS SHOWN

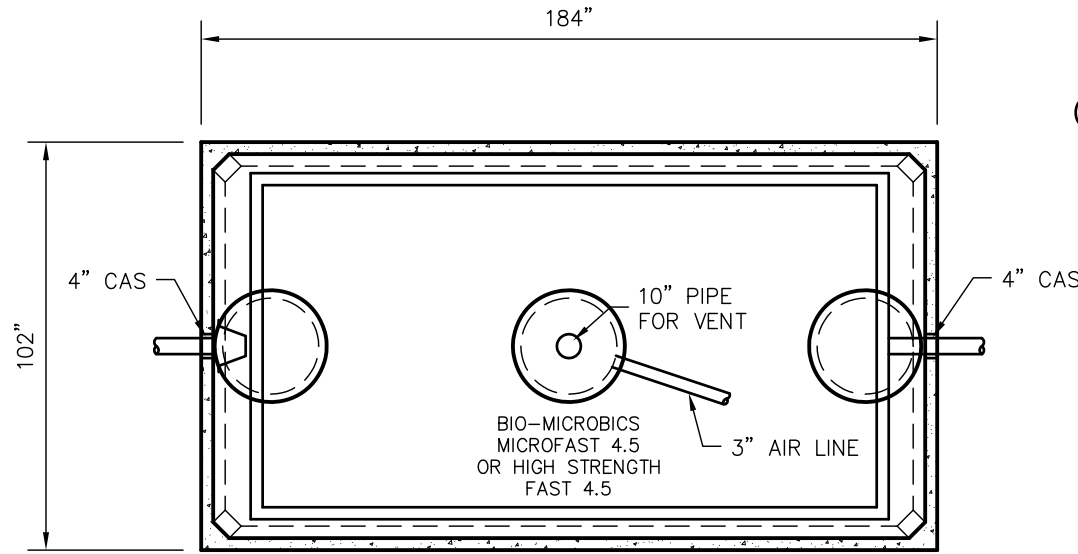
LIQUID CAPACITY: 70.06 GAL/IN

LOADING DESIGN: 8'-0" UNSATURATED SOIL

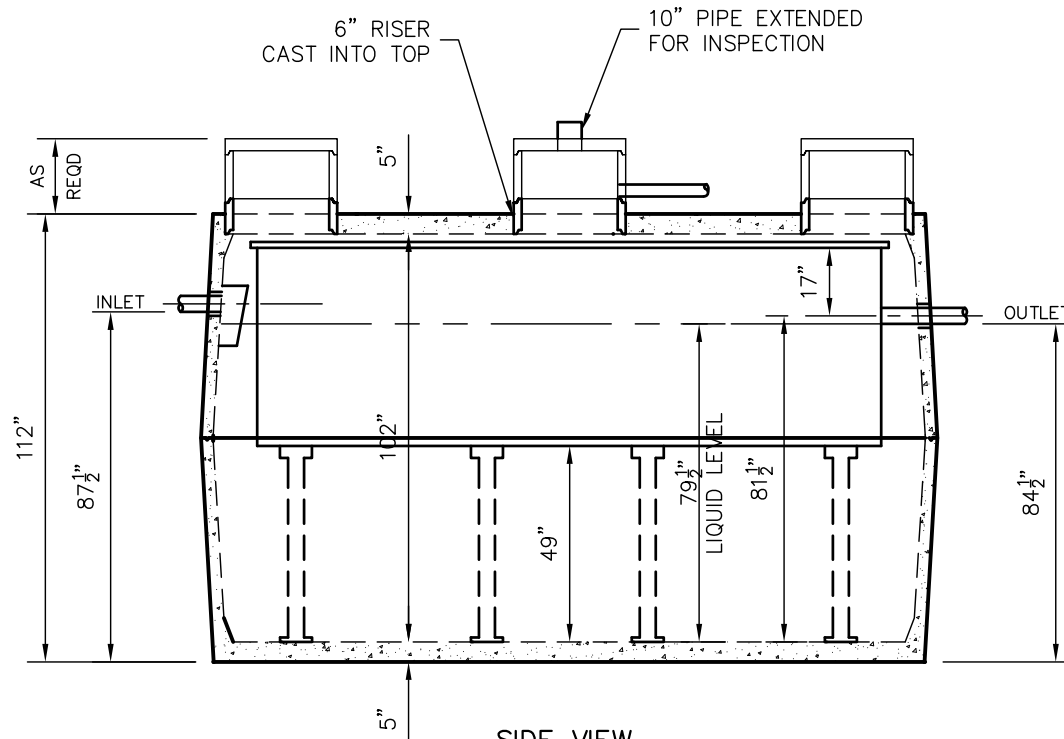
TANK: MIX DESIGN #9 (SMALL FIBER)

CUSTOMIZED TANKS:

FOR CUSTOM TANKS CONTACT WIESER CONCRETE



TOP VIEW



SIDE VIEW

TANKS ARE MANUFACTURED TO MEET OR EXCEED ASTM C-1227 REQUIREMENTS

**DRAWINGS SUBMITTED
 FOR APPROVAL**

APPROVED BY: _____
 APPROVAL DATE: _____
 PRODUCTS NEEDED BY: _____

WIESER CONCRETE
 W3716 US HWY 10 MAIDEN ROCK, WI 54750
 800-325-8456

W6010 BIO 4500 GPD
 SEPTIC MANUAL

SHEET NO.
 1 OF 1

DRAWN BY: WCP
 DATE: 00/00/00
 SCALE: 1/4"=1'-0"
 REV. DATE:
 PRE-POUR:
 POST-POUR:
 FILE: W6010 BIO HS FAST 4500