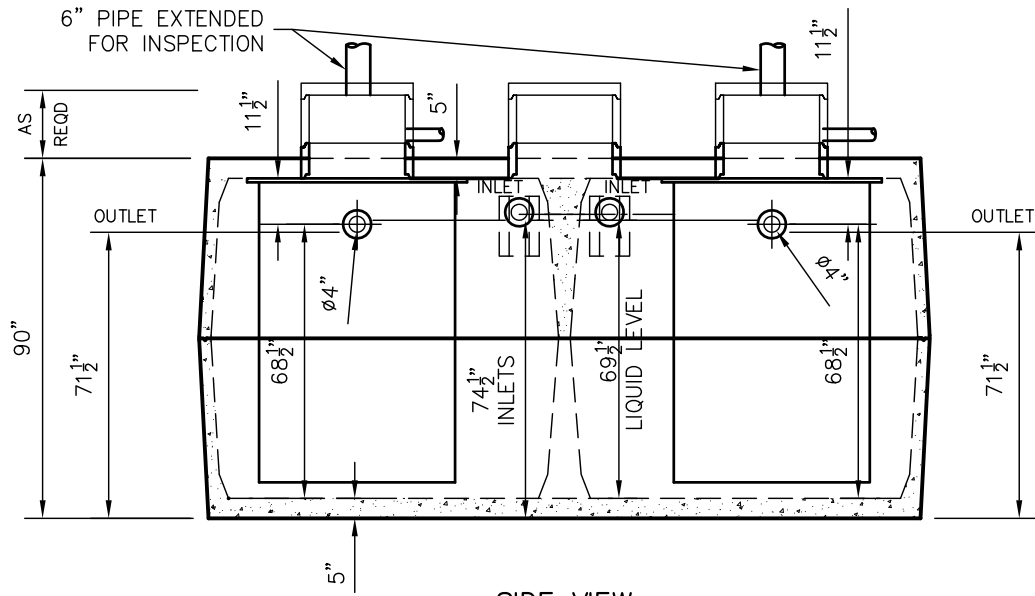


TOP VIEW



SIDE VIEW

TANKS ARE MANUFACTURED TO MEET OR EXCEED ASTM C-1227 REQUIREMENTS

# W5000 BIO - (2) 3000 GPD MICROFAST® 3.0 OR HIGH STRENGTH FAST® 3.0 TANK SPECIFICATIONS

**DIMENSIONS:**  
 WALL: 3"  
 BOTTOM: 5"  
 COVER: 5"  
 MANHOLE: 24" I.D. PRECAST CONCRETE RISER  
 HEIGHT: 90" O.D.  
 LENGTH: 182-3/4" O.D.  
 WIDTH: 100-3/4" O.D.  
 BELOW INLET: 74 1/2" O.D.  
 LIQUID LEVEL: 69 1/2"  
 WEIGHT: 14,350 LBS PER SECTION

**INLET AND OUTLET:**  
 4" CAST-A-SEAL (CAS) BOOT OR EQUAL

**INLET AND OUTLET BAFFLE:**  
 AS SHOWN

LIQUID CAPACITY: 70.06 GAL/IN

LOADING DESIGN: 8'-0" UNSATURATED SOIL

TANK: MIX DESIGN #9 (SMALL FIBER)

**CUSTOMIZED TANKS:**  
 FOR CUSTOM TANKS CONTACT WIESER CONCRETE

**DRAWINGS SUBMITTED  
FOR APPROVAL**

APPROVED BY: \_\_\_\_\_  
 APPROVAL DATE: \_\_\_\_\_  
 PRODUCTS NEEDED BY: \_\_\_\_\_

PRE-POUR:	SCALE: 1/4"=1'-0"
POST-POUR:	REV. DATE:
DRAWN BY: WCP	DATE: 00/00/00
FILE: W5000 BIO HS FAST (2) 3000	
<b>WIESER CONCRETE</b>	
W3716 US HWY 10 MAIDEN ROCK, WI 54750	
800-325-8456	
W5000 BIO (2) 3000 GPD	SEPTIC MANUAL
SHEET NO.	1 OF 1