

W3000-MR TANK SPECIFICATIONS

DIMENSIONS:

WALL: 2 1/2"
BOTTOM: SEPTIC 4"

COVER: 6"
MANHOLE: 24" I.D. PRECAST CONCRETE RISER
HEIGHT: 71" O.D.
LENGTH: 186" O.D.
WIDTH: 93" O.D.
BELOW INLET: 57" O.D.
LIQUID LEVEL: 50"
WEIGHT: 12,260 LBS. SEPTIC
COVER 8,350 LBS.

INLET AND OUTLET:
4" CAST-A-SEAL BOOT OR EQUAL
GASKET, CAST-A-SEAL BOOT OR EQUAL
INLET AND OUTLET BAFFLE AND FILTER:
WISCONSIN, SEE DETAIL #10
(OTHER STATES SEE CHART)

LIQUID CAPACITY: 58.94 GAL/IN

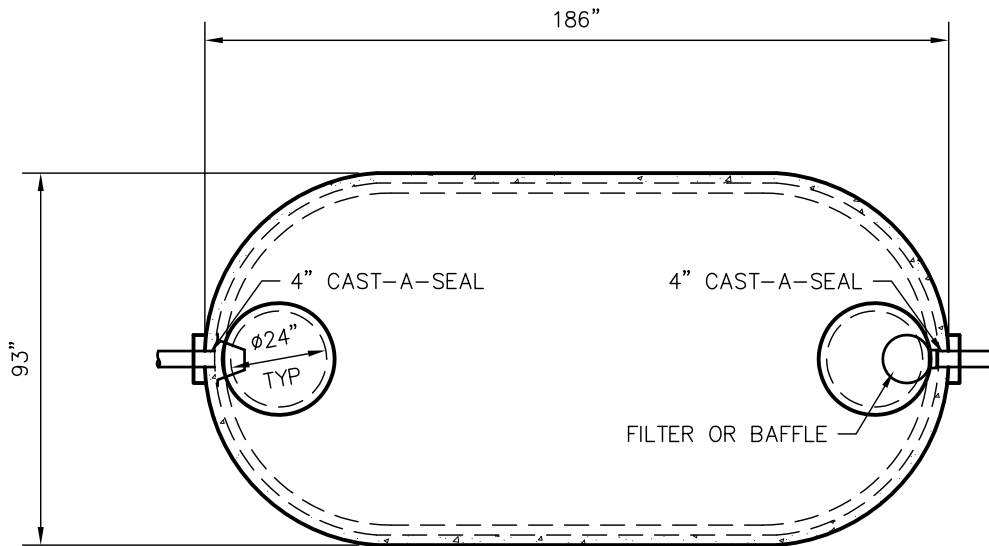
LOADING DESIGN: 8' 0" UNSATURATED SOIL

HOLDING TANK:
OUTLET HOLE PLUGGED
ACTUAL CAPACITY: 3,183 GALLONS

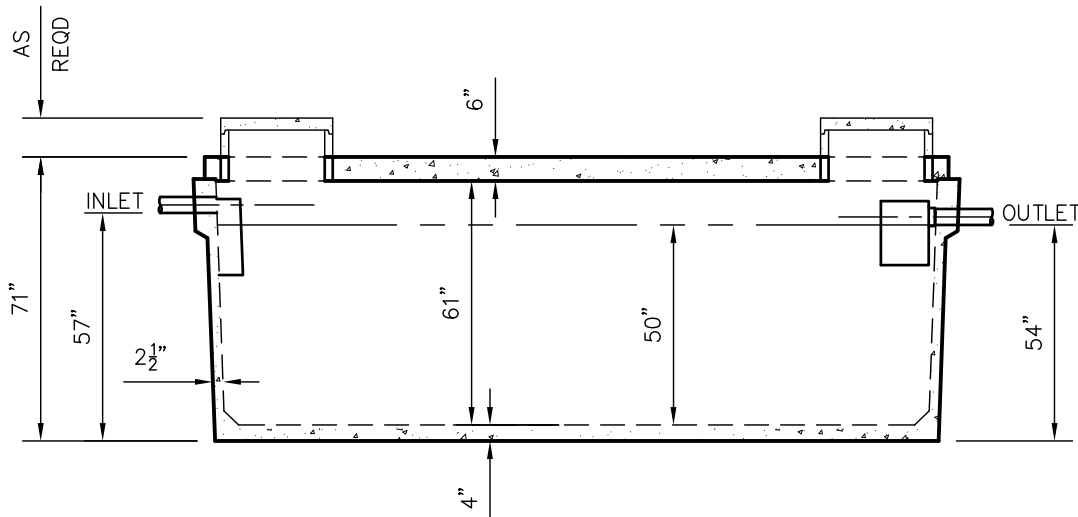
TANK CAN BE USED AS:
SEPTIC/ HOLDING/ PUMP OR SIPHON

COVER: MIX DESIGN #8 (NO FIBER)
TANK: MIX DESIGN #9 (SMALL FIBER)

CUSTOMIZED TANKS:
FOR CUSTOM TANKS CONTACT WIESER CONCRETE



TOP VIEW



SIDE VIEW

TANKS ARE MANUFACTURED TO MEET OR EXCEED ASTM C-1227 REQUIREMENTS

**DRAWINGS SUBMITTED
FOR APPROVAL**

APPROVED BY: _____
APPROVAL DATE: _____
PRODUCTS NEEDED BY: _____

DRAWN BY: WCP	SCALE: 1/4"=1'-0"	PRE-FOUR:	POST-POUR:
DATE: 00/00/00	REV. DATE:		
FILE: W3000-MR			

WIESER CONCRETE
W3716 US HWY 10 MAIDEN ROCK, WI 54750
800-325-8456

W3000-MR
SEPTIC MANUAL

SHEET NO.
1 OF 1