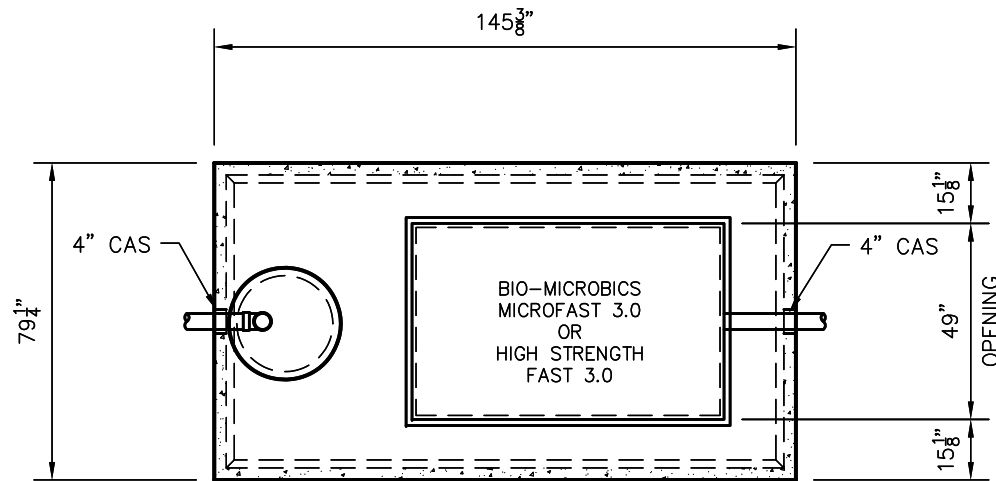
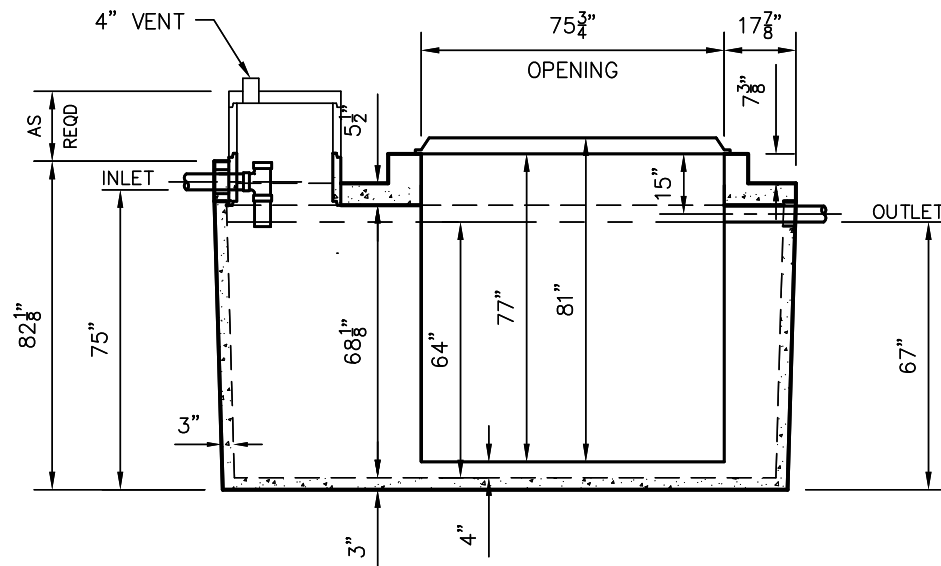


W2700 BIO – 3000 GPD
 MICROFAST® 3.0
 OR HIGH STRENGTH FAST® 3.0
 TANK SPECIFICATIONS



TOP VIEW



SIDE VIEW

DIMENSIONS:

- WALL: 3"
- BOTTOM: 3"
- COVER: 5"
- MANHOLE: 24" I.D. PRECAST CONCRETE RISER
- HEIGHT: 82" O.D.
- LENGTH: 145 1/2" O.D.
- WIDTH: 79 1/4" O.D.
- BELOW INLET: 75" O.D.
- LIQUID LEVEL: 64"
- WEIGHT: 20,095 LBS

INLET AND OUTLET:
 4" CAST-A-SEAL (CAS) BOOT OR EQUAL

INLET AND OUTLET BAFFLES:
 AS SHOWN

LIQUID CAPACITY: 42.46 GAL/IN

TANK LOADING DESIGN:
 8'-0" UNSATURATED SOIL

BIO UNIT LOADING DESIGN:
 4'-0" UNSATURATED SOIL

COVER: MIX DESIGN #8 (NO FIBER)
 TANK: MIX DESIGN #9 (SMALL FIBER)

CUSTOMIZED TANKS:
 FOR CUSTOM TANKS CONTACT WIESER CONCRETE

PRE-POUR:	SCALE: 1/4"=1'-0"
POST-POUR:	REV. DATE:
DRAWN BY: WCP	DATE: 00/00/00

FILE: W2700 BIO HS FAST 3000

WIESER CONCRETE
 W3716 US HWY 10 MAIDEN ROCK, WI 54750
 800-325-8456

W2700 BIO 3000 GPD
 SEPTIC MANUAL

SHEET NO.
 1 OF 1

DRAWINGS SUBMITTED FOR APPROVAL

APPROVED BY: _____
 APPROVAL DATE: _____
 PRODUCTS NEEDED BY: _____