

W2600-MR TANK SPECIFICATIONS

DIMENSIONS:

WALL: 2 1/2"
 BOTTOM: NONE
 COVER: 5"
 MANHOLE: 24" I.D. PRECAST CONCRETE RISER
 HEIGHT: 124 1/2" O.D.
 OUTSIDE DIAMETER: 84" O.D.
 BELOW INLET: 115" O.D.

WEIGHT: 6,150 LBS.

INLET:

4" CAST-A-SEAL BOOT OR EQUAL
 GASKET, CAST-A-SEAL BOOT OR EQUAL

LOADING DESIGN: 8' 0" UNSATURATED SOIL

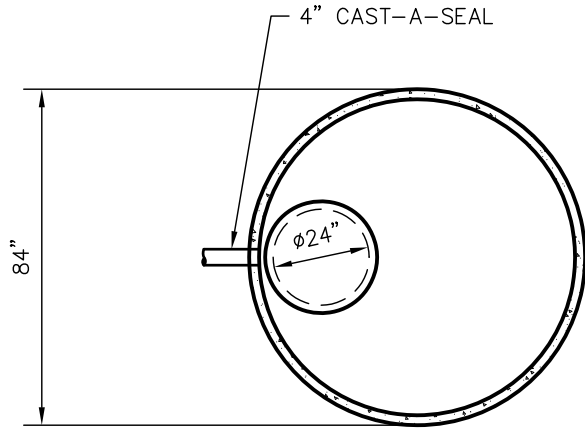
TANK CAN BE USED AS:

DRY WELL

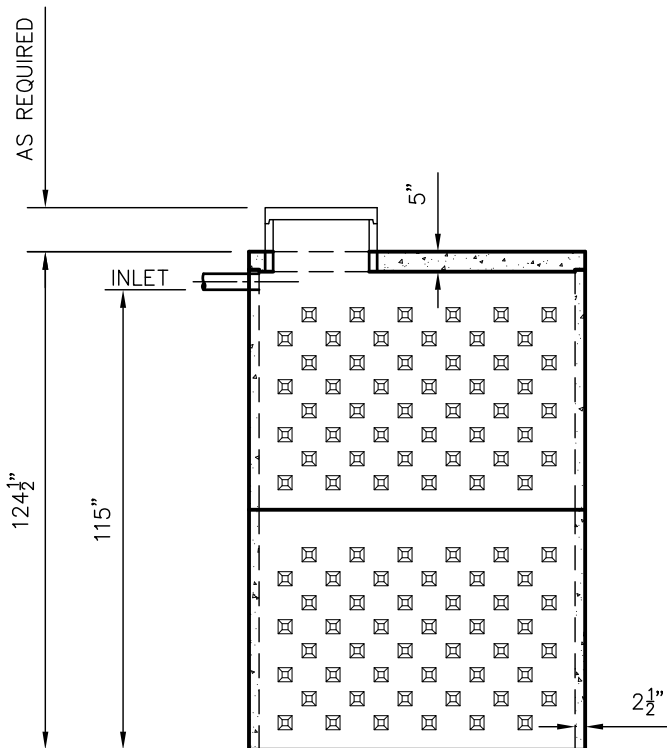
COVER: MIX DESIGN #8 (NO FIBER)
 TANK: MIX DESIGN #9 (SMALL FIBER)

CUSTOMIZED TANKS:

FOR CUSTOM TANKS CONTACT WIESER CONCRETE



TOP VIEW



SIDE VIEW

TANKS ARE MANUFACTURED TO MEET OR EXCEED ASTM C-1227 REQUIREMENTS

PRE-POUR:
POST-POUR:

SCALE: 1/4" = 1'-0"
REV. DATE:

DRAWN BY: WCP
DATE: 00/00/00

FILE: W2600-MR

WIESER CONCRETE
 W3716 US HWY 10 MAIDEN ROCK, WI 54750
 800-325-8456

W2600-MR
SEPTIC MANUAL

**DRAWINGS SUBMITTED
FOR APPROVAL**

APPROVED BY: _____
 APPROVAL DATE: _____
 PRODUCTS NEEDED BY: _____

SHEET NO.
1 OF 1