

W2000/1000-FDL TRIPLE TANK SPECIFICATIONS

DIMENSIONS:

WALL: 3"
 BOTTOM: 3"
 COVER: 6"
 MANHOLE: 24" I.D. PRECAST CONCRETE RISER
 HEIGHT: 71" O.D.
 LENGTH: 189" O.D.
 WIDTH: 84" O.D.
 BELOW INLET: 58" O.D.
 LIQUID LEVEL: 53"
 WEIGHT: 23,000 LBS.

INLET AND OUTLET:

4" CAST-A-SEAL BOOT OR EQUAL

INLET AND OUTLET Baffle AND FILTER:
 SEE DETAIL #10

LIQUID CAPACITY: 25.31 GAL/IN (SEPTIC)
 12.82 GAL/IN (SEPTIC)
 18.98 GAL/IN (PUMP)

LOADING DESIGN: 8' 0" UNSATURATED SOIL

TANK CAN BE USED AS:

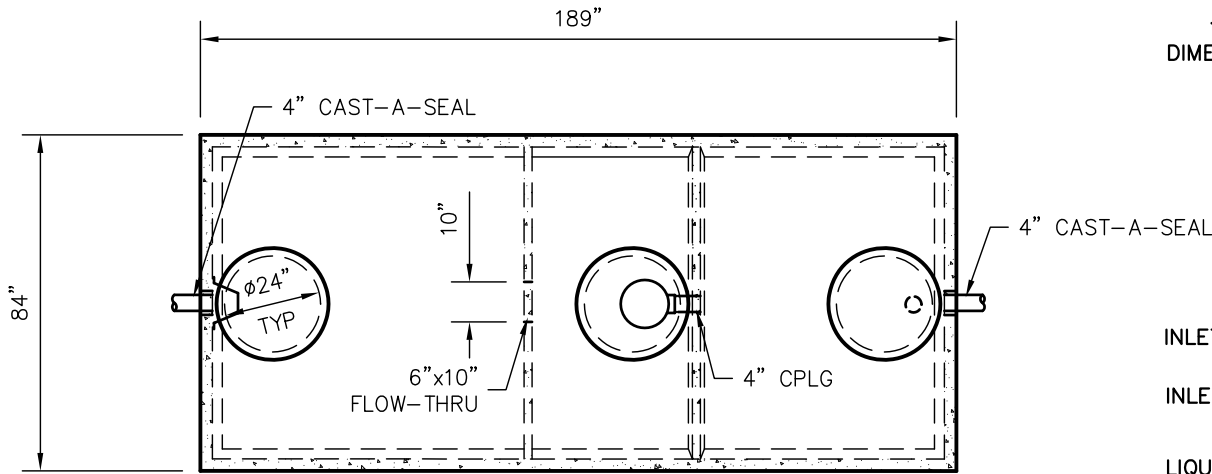
SEPTIC/SEPTIC, SEPTIC/PUMP
 OR SEPTIC/SIPHON

COVER: MIX DESIGN #8 (NO FIBER)

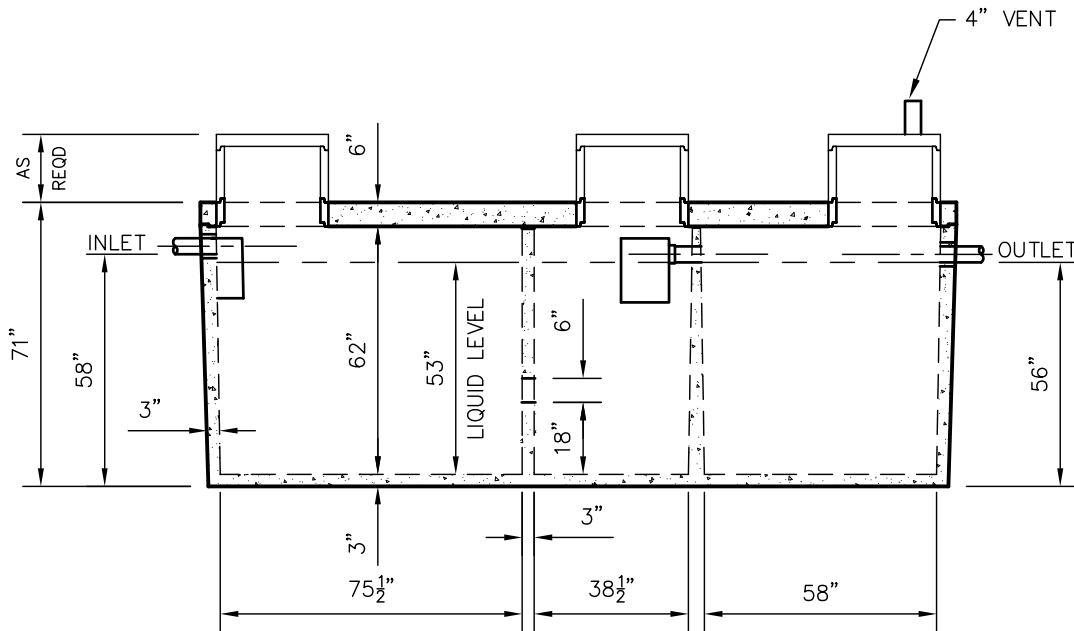
TANK: MIX DESIGN #9 (SMALL FIBER)

CUSTOMIZED TANKS:

FOR CUSTOM TANKS CONTACT WIESER CONCRETE



TOP VIEW



SIDE VIEW

TANKS ARE MANUFACTURED TO MEET OR EXCEED ASTM C-1227 REQUIREMENTS

DRAWINGS SUBMITTED FOR APPROVAL

APPROVED BY: _____
 APPROVAL DATE: _____
 PRODUCTS NEEDED BY: _____

PRE-POUR:

SCALE: 1/4"=1'-0"

DRAWN BY: WCP

DATE: 00/00/00

REV. DATE:

WIESER CONCRETE

W3716 US HWY 10 MAIDEN ROCK, WI 54750

800-325-8456

W2000/1000-FDL TRIPLE

SEPTIC MANUAL

SHEET NO.

1 OF 1

FILE: W2000-1000 FDL