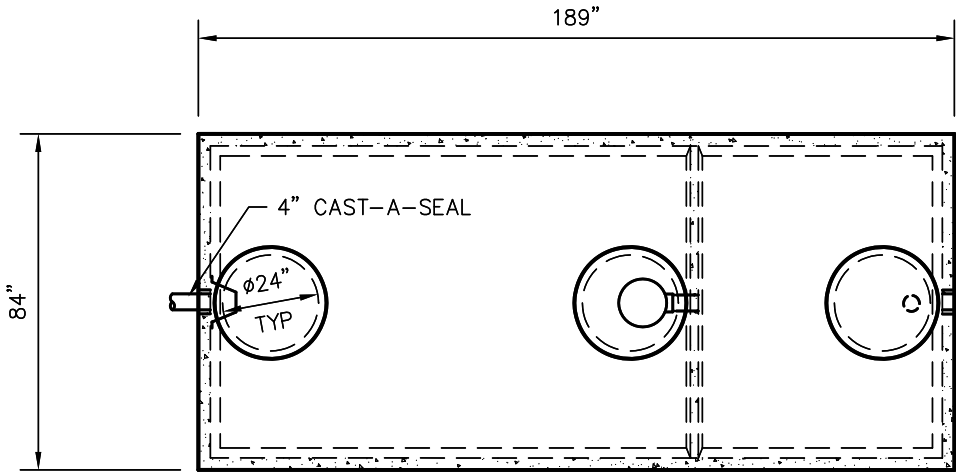
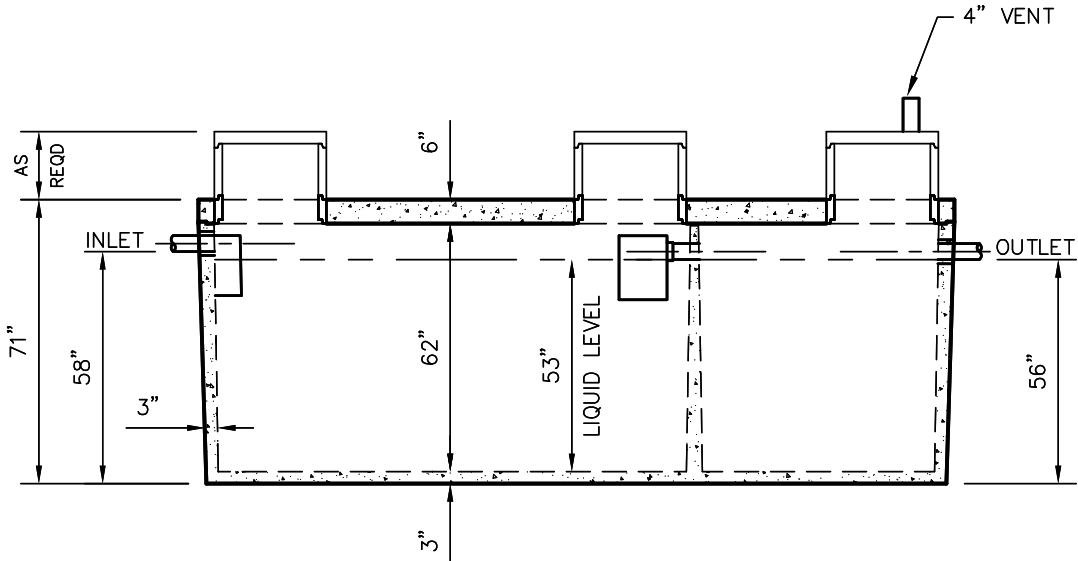


# W2000/1000-FDL TANK SPECIFICATIONS



TOP VIEW



SIDE VIEW

**DIMENSIONS:**  
 WALL: 3"  
 BOTTOM: 3"  
 COVER: 6"  
 MANHOLE: 24" I.D. PRECAST CONCRETE RISER  
 HEIGHT: 71" O.D.  
 LENGTH: 189" O.D.  
 WIDTH: 84" O.D.  
 BELOW INLET: 58" O.D.  
 LIQUID LEVEL: 53"  
 WEIGHT: 23,000 LBS.

**INLET AND OUTLET:**  
 4" CAST-A-SEAL BOOT OR EQUAL  
**INLET AND OUTLET Baffle AND FILTER:**  
 SEE DETAIL #10

**LIQUID CAPACITY:** 38.13 GAL/IN (SEPTIC)  
 18.98 GAL/IN (PUMP)

**LOADING DESIGN:** 8' 0" UNSATURATED SOIL

**TANK CAN BE USED AS:**  
 SEPTIC/SEPTIC, SEPTIC/PUMP  
 OR SEPTIC/SIPHON

**COVER:** MIX DESIGN #8 (NO FIBER)  
**TANK:** MIX DESIGN #9 (SMALL FIBER)

**CUSTOMIZED TANKS:**  
 FOR CUSTOM TANKS CONTACT WIESER CONCRETE

DRAWN BY: WCP	SCALE: 1/4"=1'-0"
DATE: 00/00/00	REV. DATE:
FILE: W2000-1000 FDL	

**WIESER CONCRETE**  
 W3716 US HWY 10 MAIDEN ROCK, WI 54750  
 800-325-8456

W2000/1000-FDL  
 SEPTIC MANUAL

SHEET NO.  
 1 OF 1

**DRAWINGS SUBMITTED  
 FOR APPROVAL**

APPROVED BY: \_\_\_\_\_  
 APPROVAL DATE: \_\_\_\_\_  
 PRODUCTS NEEDED BY: \_\_\_\_\_

TANKS ARE MANUFACTURED TO MEET OR EXCEED ASTM C-1227 REQUIREMENTS