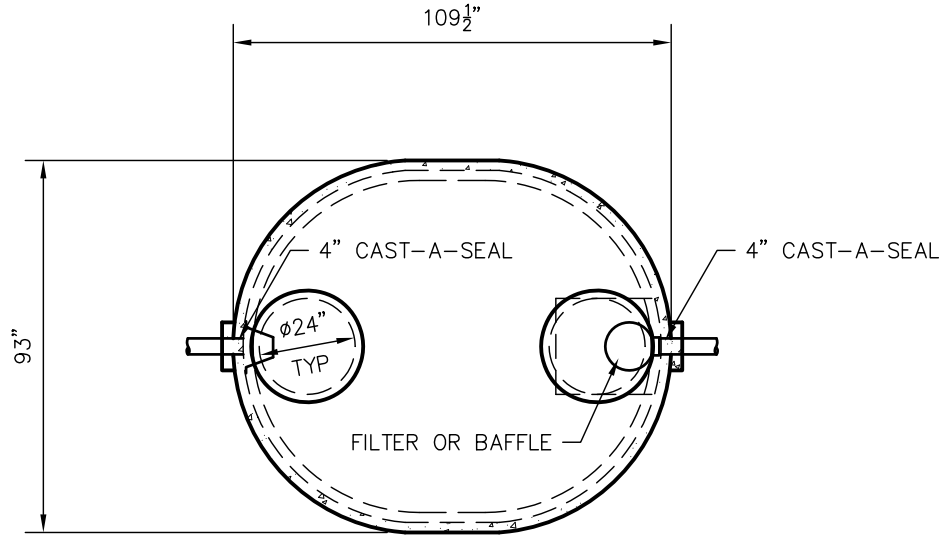


# W1565-MR TANK SPECIFICATIONS



TOP VIEW

**DIMENSIONS:**

WALL: 2 1/2"  
 BOTTOM: SEPTIC 3"  
 HOLDING 5" (ADD 1,500 LB.)  
 COVER: 5"  
 MANHOLE: 24" I.D. PRECAST CONCRETE RISER  
 HEIGHT: 69 1/2" O.D.  
 LENGTH: 109 1/2" O.D.  
 WIDTH: 93" O.D.  
 BELOW INLET: 57" O.D.  
 LIQUID LEVEL: 51"  
 WEIGHT: 10,840 LBS.

**INLET AND OUTLET:**

4" CAST-A-SEAL BOOT OR EQUAL  
 GASKET, CAST-A-SEAL BOOT OR EQUAL

**INLET AND OUTLET BAFFLE AND FILTER:**

WISCONSIN, SEE DETAIL #10  
 (OTHER STATES SEE CHART)

LIQUID CAPACITY: 30.69 GAL/IN

**HOLDING TANK:**

OUTLET HOLE PLUGGED  
 ACTUAL CAPACITY: 1,657 GALLONS

LOADING DESIGN: 8' 0" UNSATURATED SOIL

**TANK CAN BE USED AS:**

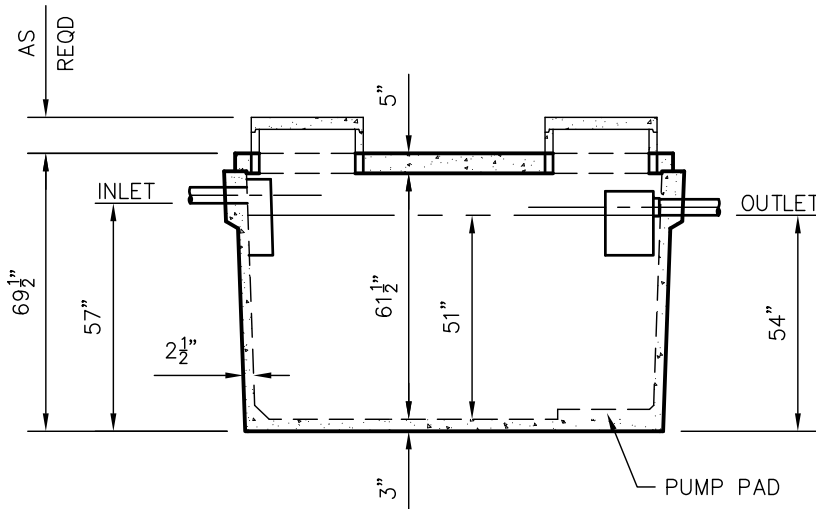
SEPTIC/ HOLDING/ PUMP OR SIPHON

COVER: MIX DESIGN #8 (NO FIBER)

TANK: MIX DESIGN #10 (STRUCTURAL FIBER)

**CUSTOMIZED TANKS:**

FOR CUSTOM TANKS CONTACT WIESER CONCRETE



SIDE VIEW

TANKS ARE MANUFACTURED TO MEET OR EXCEED ASTM C-1227 REQUIREMENTS

**DRAWINGS SUBMITTED  
FOR APPROVAL**

APPROVED BY: \_\_\_\_\_  
 APPROVAL DATE: \_\_\_\_\_  
 PRODUCTS NEEDED BY: \_\_\_\_\_

W1565-MR	SCALE: 1/4"=1'-0"	PRE-FOUR:	POST-POUR:
DRAWN BY: WCP	REV. DATE:		
DATE: 00/00/00			
FILE: W1565-MR			
<b>WIESER CONCRETE</b>			
W3716 US HWY 10 MAIDEN ROCK, WI 54750			
800-325-8456			
W1565-MR	SEPTIC MANUAL		
			SHEET NO.
			1 OF 1