

# W1500/1000-FDL TRIPLE TANK SPECIFICATIONS

## DIMENSIONS:

WALL: 3"  
 BOTTOM: 3"  
 COVER: 5"  
 MANHOLE: 24" I.D. PRECAST CONCRETE RISER  
 HEIGHT: 70" O.D.  
 LENGTH: 166" O.D.  
 WIDTH: 81" O.D.  
 BELOW INLET: 58" O.D.  
 LIQUID LEVEL: 53"  
 WEIGHT: 18,500 LBS

## INLET AND OUTLET:

4" CAST-A-SEAL BOOT OR EQUAL

## INLET AND OUTLET Baffle AND FILTER:

SEE DETAIL #10

LIQUID CAPACITY: 18.97 GAL/IN (SEPTIC)  
 9.98 GAL/IN (SEPTIC)  
 19.54 GAL/IN (PUMP)

LOADING DESIGN: 8' 0" UNSATURATED SOIL

## TANK CAN BE USED AS:

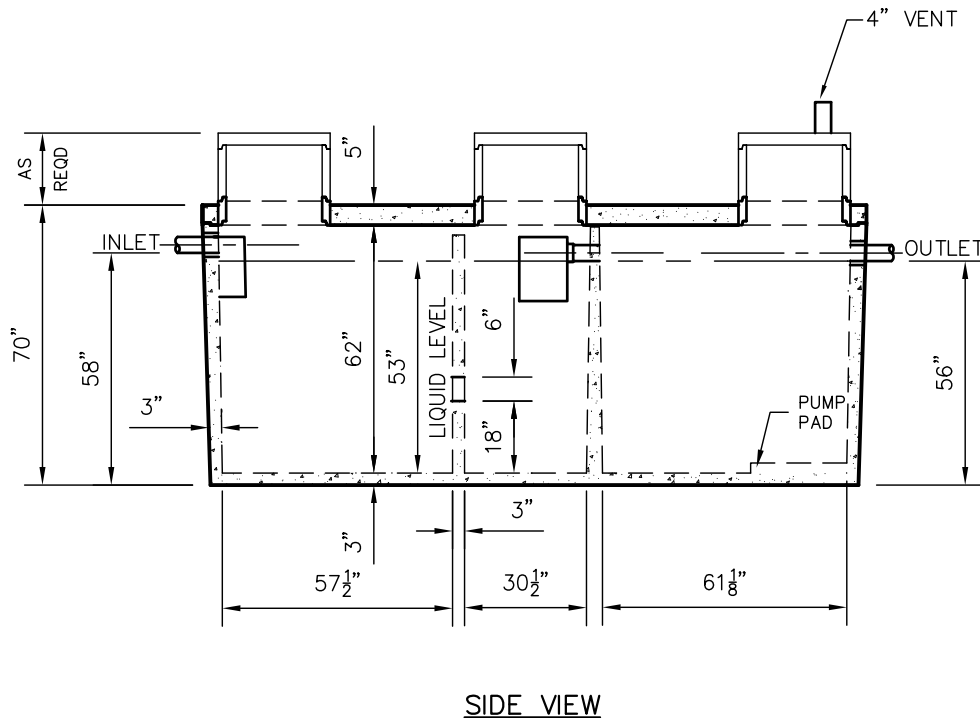
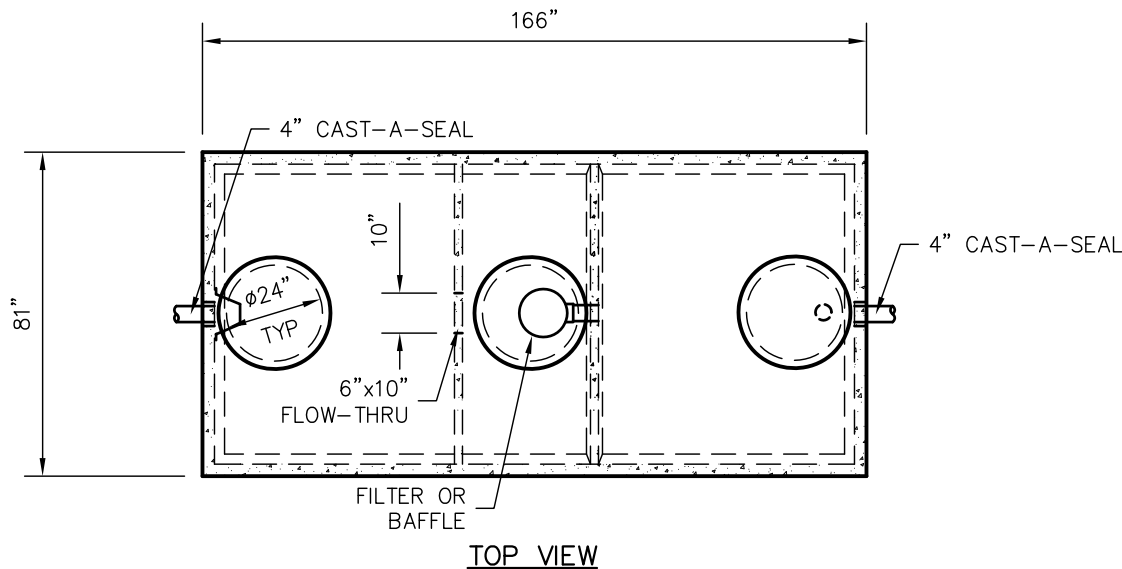
SEPTIC/SEPTIC, SEPTIC/PUMP  
 OR SEPTIC/SIPHON

COVER: MIX DESIGN #8 (NO FIBER)

TANK: MIX DESIGN #9 (SMALL FIBER)

## CUSTOMIZED TANKS:

FOR CUSTOM TANKS CONTACT WIESER CONCRETE



TANKS ARE MANUFACTURED TO MEET OR EXCEED ASTM C-1227 REQUIREMENTS

**DRAWINGS SUBMITTED  
FOR APPROVAL**

APPROVED BY: \_\_\_\_\_  
 APPROVAL DATE: \_\_\_\_\_  
 PRODUCTS NEEDED BY: \_\_\_\_\_

PRE-POUR:	SCALE: 1/4"=1'-0"
POST-POUR:	REV. DATE:
DRAWN BY: WCP	DATE: 00/00/00
FILE: W1500-1000 FDL	

**WIESER CONCRETE**  
 W3716 US HWY 10 MAIDEN ROCK, WI 54750  
 800-325-8456

W1500/1000-FDL TRIPLE  
 SEPTIC MANUAL  
 SHEET NO. 1 OF 1