

W1500/1000-FDL TANK SPECIFICATIONS

DIMENSIONS:

WALL: 3"
 BOTTOM: 3"
 COVER: 5"
 MANHOLE: 24" I.D. PRECAST CONCRETE RISER
 HEIGHT: 70" O.D.
 LENGTH: 166" O.D.
 WIDTH: 81" O.D.
 BELOW INLET: 58" O.D.
 LIQUID LEVEL: 53"
 WEIGHT: 18,500 LBS

INLET AND OUTLET:
 4" CAST-A-SEAL BOOT OR EQUAL

INLET AND OUTLET Baffle AND FILTER:
 SEE DETAIL #10

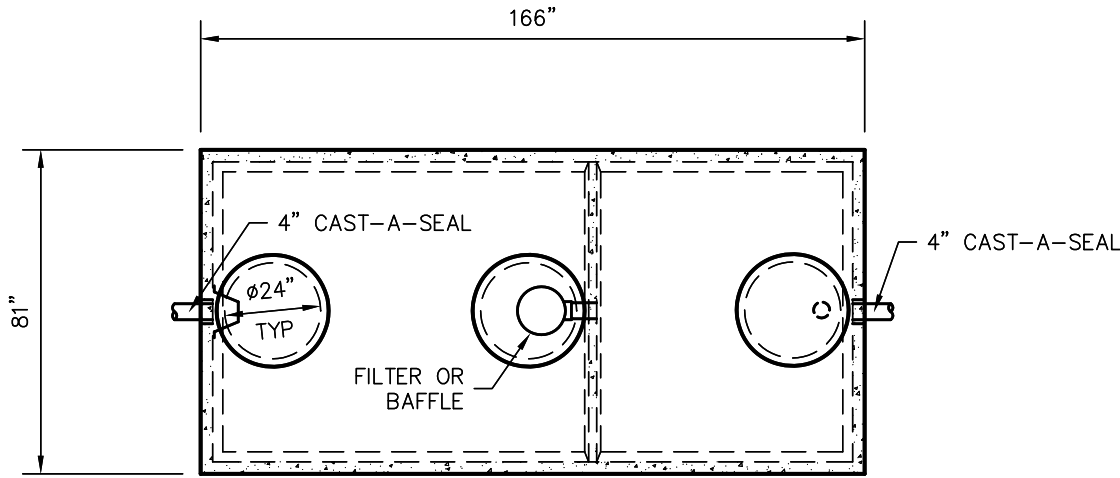
LIQUID CAPACITY: 28.95 GAL/IN (SEPTIC)
 19.54 GAL/IN (PUMP)

LOADING DESIGN: 8' 0" UNSATURATED SOIL

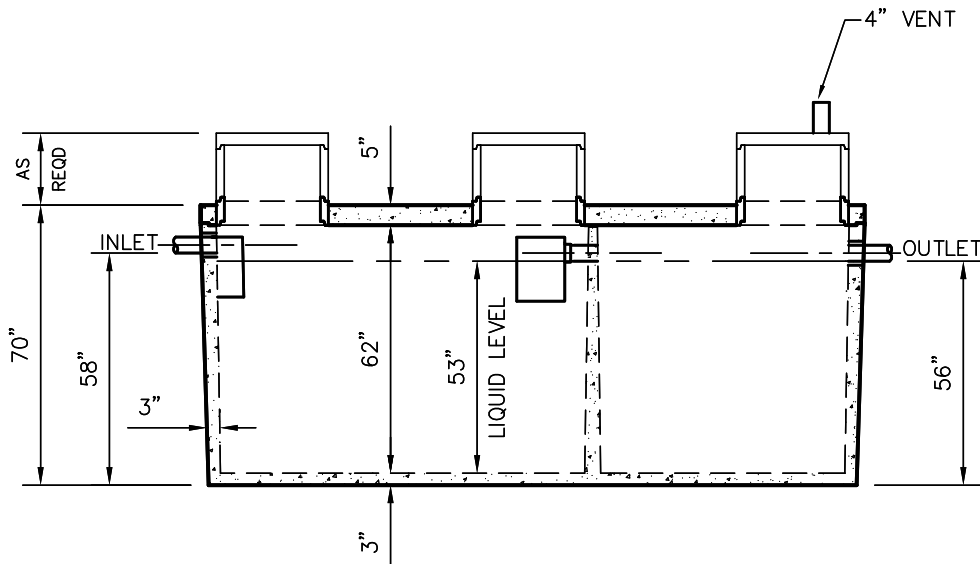
TANK CAN BE USED AS:
 SEPTIC/SEPTIC, SEPTIC/PUMP
 OR SEPTIC/SIPHON

COVER: MIX DESIGN #8 (NO FIBER)
TANK: MIX DESIGN #9 (SMALL FIBER)

CUSTOMIZED TANKS:
 FOR CUSTOM TANKS CONTACT WIESER CONCRETE



TOP VIEW



SIDE VIEW

TANKS ARE MANUFACTURED TO MEET OR EXCEED ASTM C-1227 REQUIREMENTS

**DRAWINGS SUBMITTED
FOR APPROVAL**

APPROVED BY: _____
 APPROVAL DATE: _____
 PRODUCTS NEEDED BY: _____

PRE-POUR:

SCALE: 1/4"=1'-0"
 REV. DATE:

DRAWN BY: WCP
 DATE: 00/00/00

WIESER CONCRETE

W3716 US HWY 10 MAIDEN ROCK, WI 54750

800-325-8456

W1500/1000-FDL
 SEPTIC MANUAL

SHEET NO.

1 OF 1