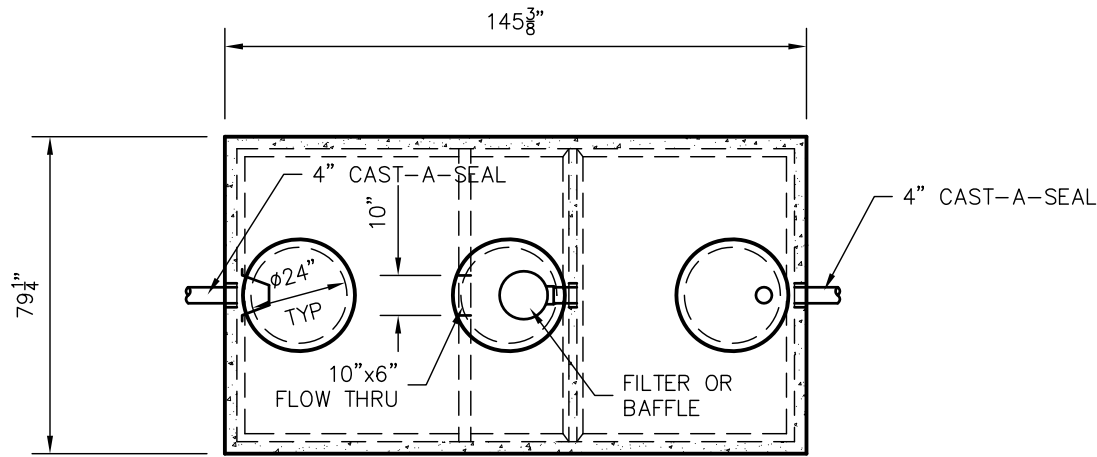
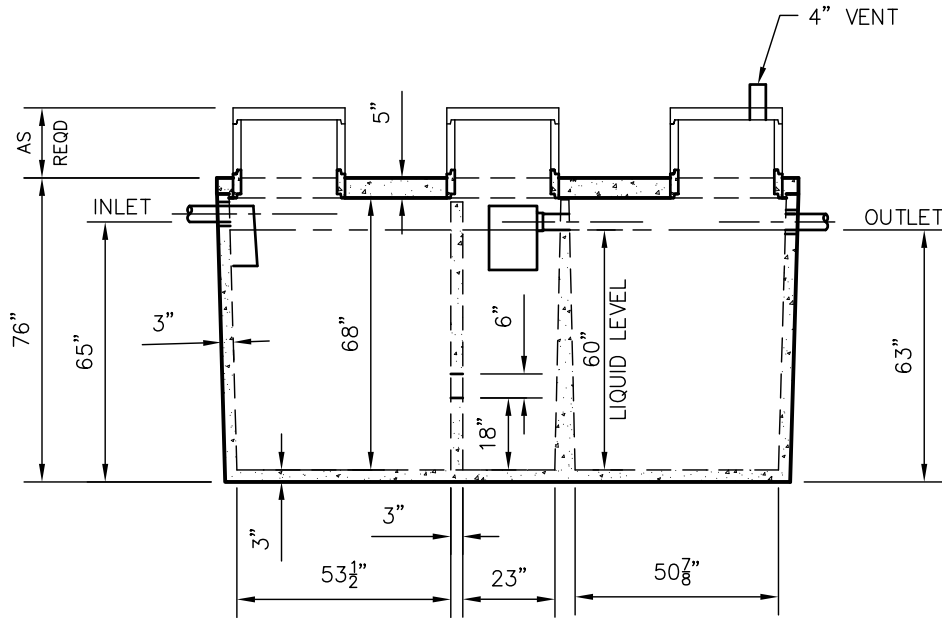


W1450/950-P TRIPLE TANK SPECIFICATIONS



TOP VIEW



SIDE VIEW

DIMENSIONS:

- WALL: 3"
- BOTTOM: 3"
- COVER: 5"
- MANHOLE: 24" I.D. PRECAST CONCRETE RISER
- HEIGHT: 76" O.D.
- LENGTH: 145-3/8" O.D.
- WIDTH: 79-1/4" O.D.
- BELOW INLET: 65" O.D.
- LIQUID LEVEL: 60"
- WEIGHT: 20,095 LBS

INLET AND OUTLET:

4" CAST-A-SEAL BOOT OR EQUAL

INLET AND OUTLET Baffle AND FILTER:

SEE DETAIL #10

LIQUID CAPACITY: 16.70 GAL/IN (SEPTIC)

7.28 GAL/IN (SEPTIC)

16.20 GAL/IN (PUMP)

LOADING DESIGN: 8'-0" UNSATURATED SOIL

TANK CAN BE USED AS:

- SEPTIC/SEPTIC, SEPTIC/PUMP
- OR SEPTIC/SIPHON

COVER: MIX DESIGN #8 (NO FIBER)

TANK: MIX DESIGN #9 (SMALL FIBER)

CUSTOMIZED TANKS:

FOR CUSTOM TANKS CONTACT WIESER CONCRETE

DRAWINGS SUBMITTED FOR APPROVAL

APPROVED BY: _____

APPROVAL DATE: _____

PRODUCTS NEEDED BY: _____

TANKS ARE MANUFACTURED TO MEET OR EXCEED ASTM C-1227 REQUIREMENTS

PRE-POUR:

POST-POUR:

SCALE: 1/4"=1'-0"

REV. DATE:

DRAWN BY: WCP

DATE: 00/00/00

FILE: W1450-950 P TRIPLE

WIESER CONCRETE

W3716 US HWY 10 MAIDEN ROCK, WI 54750

800-325-8456

W1450/950-P TRIPLE

SEPTIC MANUAL

SHEET NO.

1 OF 1