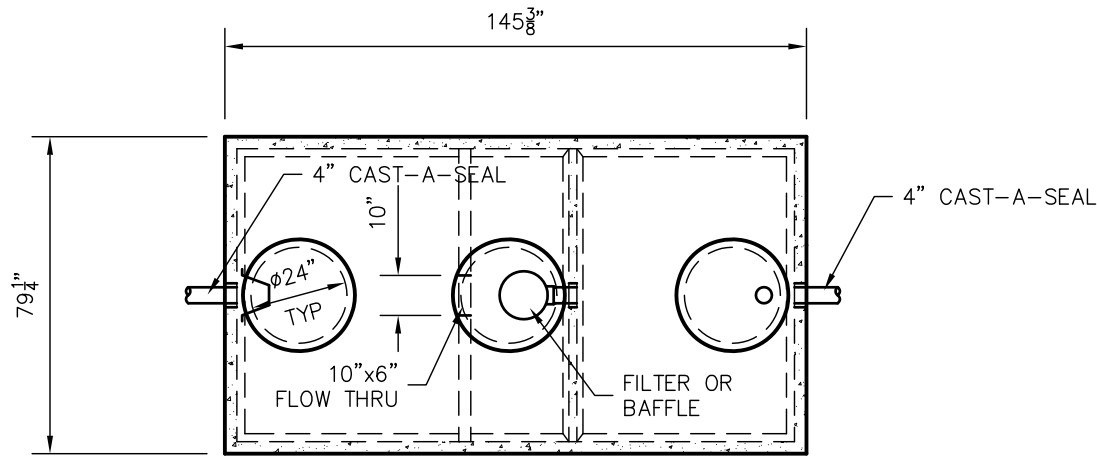
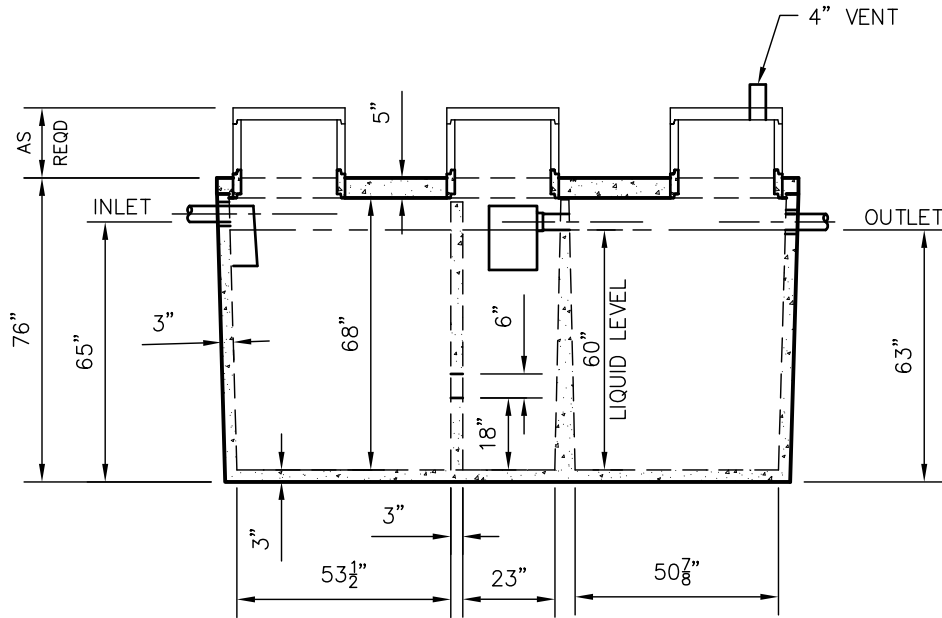


# W1450/950-P TRIPLE TANK SPECIFICATIONS



TOP VIEW



SIDE VIEW

**DIMENSIONS:**

WALL: 3"  
 BOTTOM: 3"  
 COVER: 5"  
 MANHOLE: 24" I.D. PRECAST CONCRETE RISER  
 HEIGHT: 76" O.D.  
 LENGTH: 145-3/8" O.D.  
 WIDTH: 79-1/4" O.D.  
 BELOW INLET: 65" O.D.  
 LIQUID LEVEL: 60"  
 WEIGHT: 20,095 LBS

INLET AND OUTLET:  
 4" CAST-A-SEAL BOOT OR EQUAL

INLET AND OUTLET BAFFLE AND FILTER:  
 SEE DETAIL #10

LIQUID CAPACITY: 16.70 GAL/IN (SEPTIC)  
 7.28 GAL/IN (SEPTIC)  
 16.20 GAL/IN (PUMP)

LOADING DESIGN: 8'-0" UNSATURATED SOIL

TANK CAN BE USED AS:  
 SEPTIC/SEPTIC, SEPTIC/PUMP  
 OR SEPTIC/SIPHON

COVER: MIX DESIGN #8 (NO FIBER)  
 TANK: MIX DESIGN #9 (SMALL FIBER)

CUSTOMIZED TANKS:  
 FOR CUSTOM TANKS CONTACT WIESER CONCRETE

**DRAWINGS SUBMITTED FOR APPROVAL**

APPROVED BY: \_\_\_\_\_  
 APPROVAL DATE: \_\_\_\_\_  
 PRODUCTS NEEDED BY: \_\_\_\_\_

TANKS ARE MANUFACTURED TO MEET OR EXCEED ASTM C-1227 REQUIREMENTS

PRE-POUR:	SCALE: 1/4"=1'-0"
POST-POUR:	REV. DATE:
DRAWN BY: WCP	DATE: 00/00/00
FILE: W1450-950 P TRIPLE	
<b>WIESER CONCRETE</b>	
W3716 US HWY 10 MAIDEN ROCK, WI 54750	
800-325-8456	
W1450/950-P TRIPLE	SEPTIC MANUAL
SHEET NO. 1 OF 1	