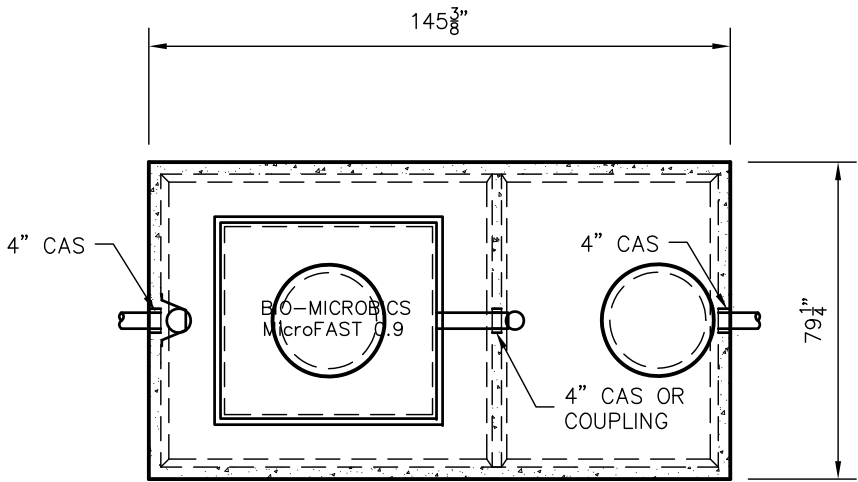
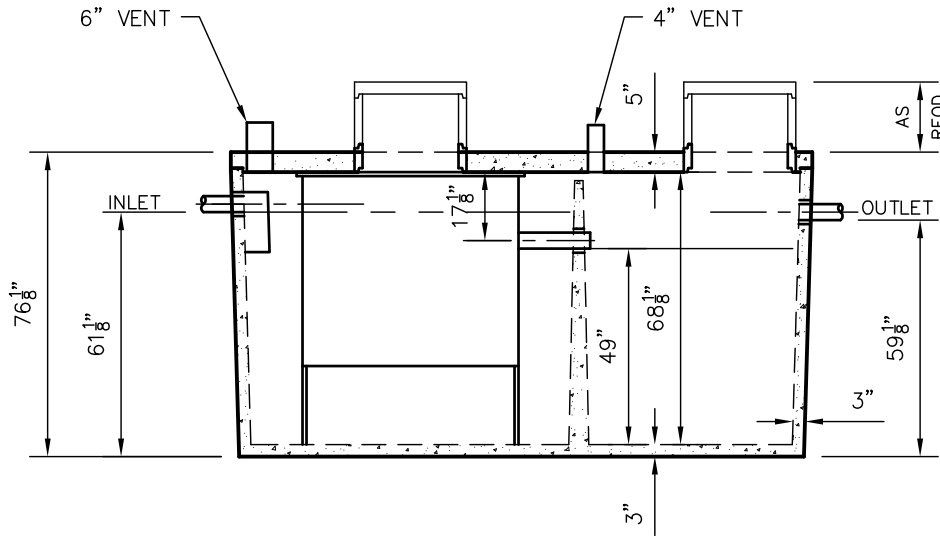


# W1425/975 BIO – 900 GPD MICROFAST®0.9 TANK SPECIFICATIONS



TOP VIEW



SIDE VIEW

**DIMENSIONS:**  
 WALL: 3"  
 BOTTOM: 3"  
 COVER: 5"  
 MANHOLE: 24" I.D. PRECAST CONCRETE RISER  
 HEIGHT: 76" O.D.  
 LENGTH: 145 1/2" O.D.  
 WIDTH: 79 1/4" O.D.  
 BELOW INLET: 61" O.D.  
 LIQUID LEVEL: 49"  
 WEIGHT: 20,095 LBS

**INLET AND OUTLET:**  
 4" CAST-A-SEAL (CAS) BOOT OR EQUAL

**INLET AND OUTLET BAFFLES:**  
 AS SHOWN

**LIQUID CAPACITY:** 16.12 GAL/IN (PUMP)  
 24.91 GAL/IN (BIO)

**LOADING DESIGN:** 8'-0" UNSATURATED SOIL

**COVER:** MIX DESIGN #8 (NO FIBER)  
**TANK:** MIX DESIGN #9 (SMALL FIBER)

**CUSTOMIZED TANKS:**  
 FOR CUSTOM TANKS CONTACT WIESER CONCRETE

**DRAWINGS SUBMITTED  
FOR APPROVAL**

APPROVED BY: \_\_\_\_\_  
 APPROVAL DATE: \_\_\_\_\_  
 PRODUCTS NEEDED BY: \_\_\_\_\_

TANKS ARE MANUFACTURED TO MEET OR EXCEED ASTM C-1227 REQUIREMENTS

DRAWN BY: WCP	SCALE: 1/4"=1'-0"	PRE-POUR:	POST-POUR:
DATE: 00/00/00	REV. DATE:		
<p style="font-size: 24pt; font-weight: bold; margin: 0;">WIESER CONCRETE</p> <p style="font-size: 10pt; margin: 0;">W3716 US HWY 10 MAIDEN ROCK, WI 54750</p> <p style="font-size: 12pt; margin: 0;">800-325-8456</p>			
<p style="font-size: 12pt; margin: 0;">W1425/975 BIO 900 GPD</p> <p style="font-size: 12pt; margin: 0;">SEPTIC MANUAL</p>		<p style="font-size: 12pt; margin: 0;">SHEET NO.</p> <p style="font-size: 24pt; margin: 0;">1 OF 1</p>	