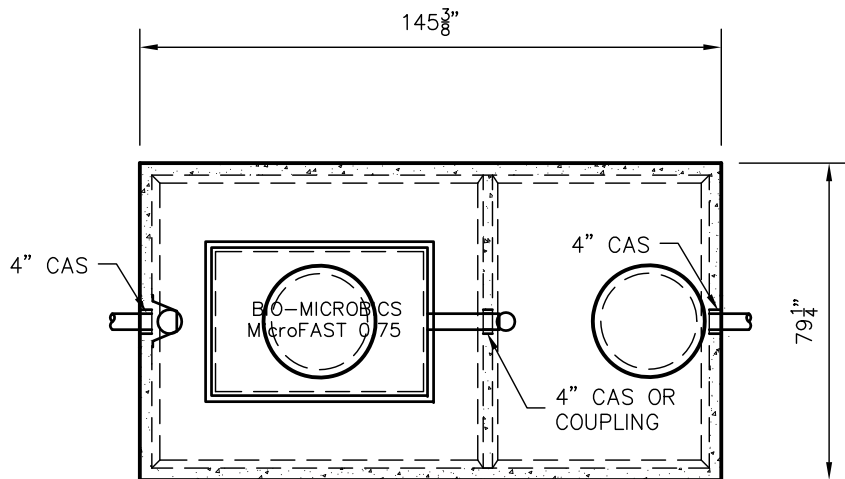
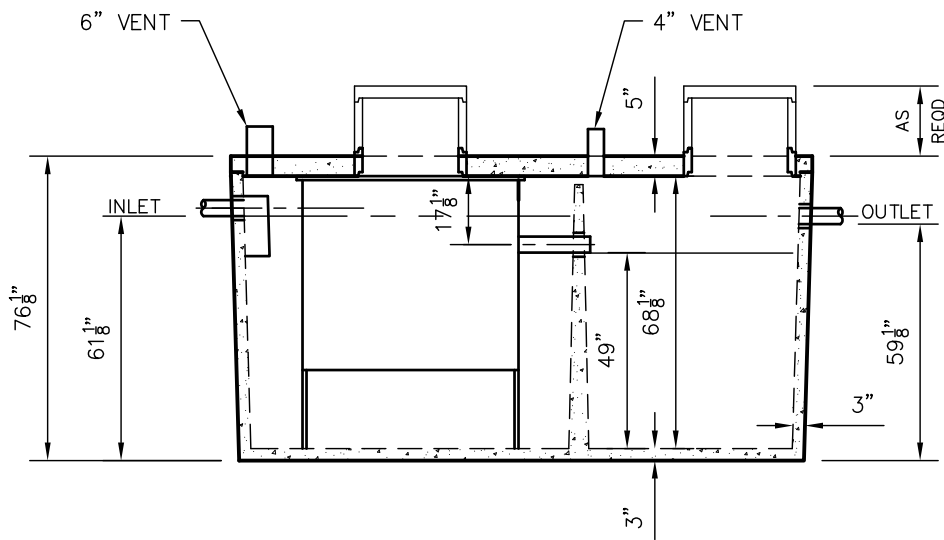


W1425/975 BIO – 750 GPD MICROFAST®0.75 TANK SPECIFICATIONS



TOP VIEW



SIDE VIEW

DIMENSIONS:

WALL: 3"
 BOTTOM: 3"
 COVER: 5"
 MANHOLE: 24" I.D. PRECAST CONCRETE RISER
 HEIGHT: 76" O.D.
 LENGTH: 145 1/2" O.D.
 WIDTH: 79 1/4" O.D.
 BELOW INLET: 61" O.D.
 LIQUID LEVEL: 49"
 WEIGHT: 20,095 LBS

INLET AND OUTLET:
 4" CAST-A-SEAL (CAS) BOOT OR EQUAL

INLET AND OUTLET BAFFLES:
 AS SHOWN

LIQUID CAPACITY: 16.12 GAL/IN (PUMP)
 24.91 GAL/IN (BIO)

LOADING DESIGN: 8'-0" UNSATURATED SOIL

COVER: MIX DESIGN #8 (NO FIBER)
 TANK: MIX DESIGN #9 (SMALL FIBER)

CUSTOMIZED TANKS:
 FOR CUSTOM TANKS CONTACT WIESER CONCRETE

TANKS ARE MANUFACTURED TO MEET OR EXCEED ASTM C-1227 REQUIREMENTS

**DRAWINGS SUBMITTED
 FOR APPROVAL**

APPROVED BY: _____
 APPROVAL DATE: _____
 PRODUCTS NEEDED BY: _____

PRE-POUR:	SCALE: 1/4"=1'-0"
POST-POUR:	REV. DATE:
DRAWN BY: WCP	DATE: 00/00/00

WIESER CONCRETE
 W3716 US HWY 10 MAIDEN ROCK, WI 54750
 800-325-8456

W1425/975 BIO 750 GPD
 SEPTIC MANUAL
 SHEET NO.
 1 OF 1