

W1300-MR TANK SPECIFICATIONS

DIMENSIONS:

WALL: 2 1/2"
 BOTTOM: NONE
 COVER: 5"
 MANHOLE: 24" I.D. PRECAST CONCRETE RISER
 HEIGHT: 64 1/2" O.D.
 OUTSIDE DIAMETER: 84" O.D.
 BELOW INLET: 55" O.D.

WEIGHT: 4,280 LBS.

INLET:

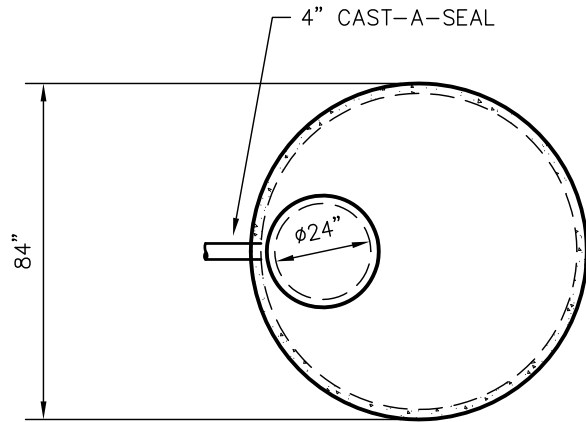
4" CAST-A-SEAL BOOT OR EQUAL
 GASKET, CAST-A-SEAL BOOT OR EQUAL

LOADING DESIGN: 8' 0" UNSATURATED SOIL

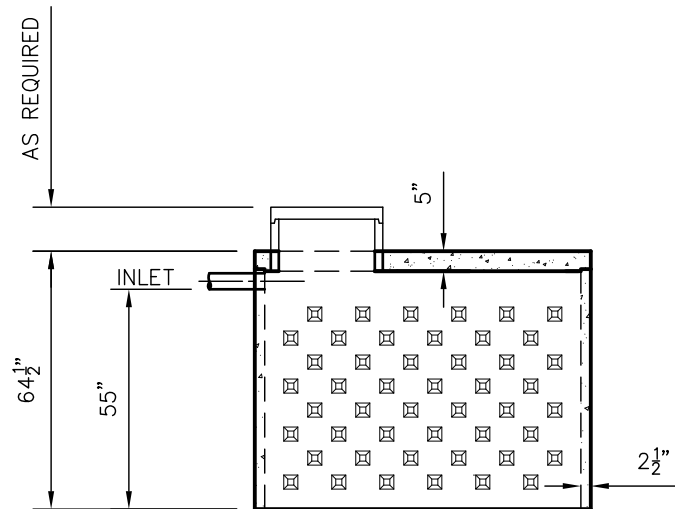
TANK CAN BE USED AS:
 DRY WELL

COVER: MIX DESIGN #8 (NO FIBER)
 TANK: MIX DESIGN #10 (STRUCTURAL FIBER)

CUSTOMIZED TANKS:
 FOR CUSTOM TANKS CONTACT WIESER CONCRETE



TOP VIEW



SIDE VIEW

TANKS ARE MANUFACTURED TO MEET OR EXCEED ASTM C-1227 REQUIREMENTS

DRAWINGS SUBMITTED FOR APPROVAL	
APPROVED BY: _____	PRE-POUR: _____
APPROVAL DATE: _____	POST-POUR: _____
PRODUCTS NEEDED BY: _____	SCALE: 1/4" = 1'-0"
	REV. _____
	DATE: _____

WIESER CONCRETE
 W3716 US HWY 10 MAIDEN ROCK, WI 54750
 800-325-8456

W1300-MR
 SEPTIC MANUAL

SHEET NO.
 1 OF 1

DRAWN BY: WCP
 DATE: 00/00/00
 FILE: W1300-MR