

W1250-MR NIBBLER JR. TANK SPECIFICATIONS

DIMENSIONS:

WALL: 2 1/2"
 BOTTOM: 3"
 COVER: 4"
 MANHOLE: 24" I.D. PRECAST CONCRETE RISER
 HEIGHT: 63 1/2" O.D.
 LENGTH: 104" O.D.
 WIDTH: 86" O.D.
 BELOW INLET: 53" O.D.
 LIQUID LEVEL: 47"
 WEIGHT: 8,300 LBS.

INLET AND OUTLET:
 4" CAST-A-SEAL BOOT OR EQUAL

INLET Baffle: MINIMUM 2" SPACE BETWEEN TOP OF Baffle AND BOTTOM OF TANK COVER, MINIMUM OF 6" ABOVE LIQUID LEVEL AND MINIMUM 9" BELOW LIQUID LEVEL.

LIQUID CAPACITY: 26.81 GAL/IN

LOADING DESIGN: 8' 0" UNSATURATED SOIL

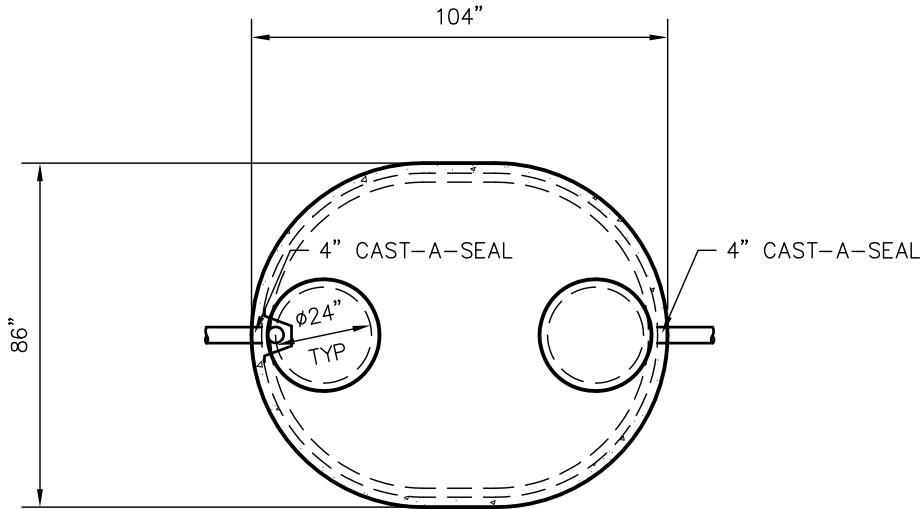
OPTIONAL CONCRETE RISERS AND LIDS

TANK CAN BE USED AS:

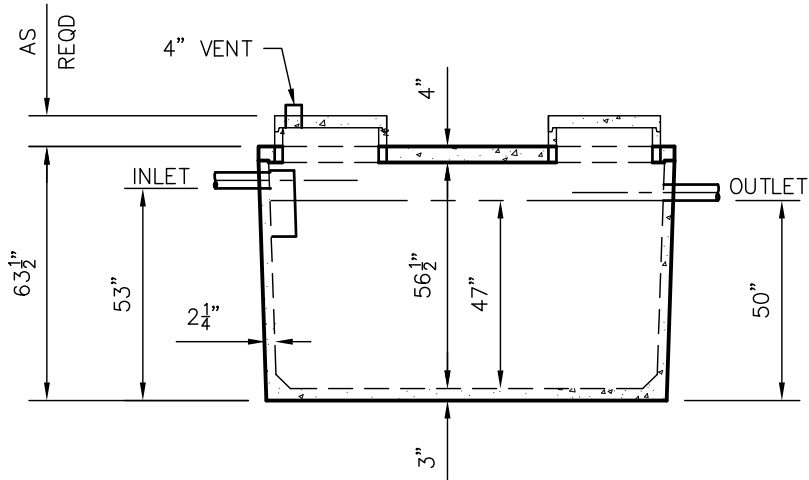
NIBBLER JR. MODELS NJRG-0002,
 NJRL-0002 AND NJRC-0002

COVER: MIX DESIGN #8 (NO FIBER)
TANK: MIX DESIGN #10 (STRUCTURAL FIBER)

CUSTOMIZED TANKS:
 FOR CUSTOM TANKS CONTACT WIESER CONCRETE



TOP VIEW



SIDE VIEW

TANKS ARE MANUFACTURED TO MEET OR EXCEED ASTM C-1227 REQUIREMENTS

**DRAWINGS SUBMITTED
 FOR APPROVAL**

APPROVED BY: _____
 APPROVAL DATE: _____
 PRODUCTS NEEDED BY: _____

SCALE: 1/4"=1'-0"	PRE-POUR:
REV. DATE:	POST-POUR:
DRAWN BY: WCP	
DATE: 00/00/00	
FILE: W1250-MR NIBBLER JR.	

WIESER CONCRETE
 W3716 US HWY 10 MAIDEN ROCK, WI 54750
 800-325-8456

W1250-MR NIBBLER JR.
 SEPTIC MANUAL
 REVISED JAN. 2012

SHEET NO.
 1 OF 1