

W1250-MR TANK SPECIFICATIONS

DIMENSIONS:
 WALL: 2 1/2"
 BOTTOM: SEPTIC 3"
 HOLDING 5" (ADD 1300 LB.)
 COVER: 4"
 MANHOLE: 24" I.D. PRECAST CONCRETE RISER
 HEIGHT: 72 1/4" O.D.
 LENGTH: 104" O.D.
 WIDTH: 86" O.D.
 BELOW INLET: 53" O.D.
 LIQUID LEVEL: 47"
 WEIGHT: 7,220 LBS.

INLET AND OUTLET:
 4" CAST-A-SEAL BOOT OR EQUAL
 GASKET, CAST-A-SEAL BOOT OR EQUAL

INLET AND OUTLET Baffle AND FILTER:
 WISCONSIN, SEE DETAIL #10
 (OTHER STATES SEE CHART)

LIQUID CAPACITY: 26.81 GAL/IN

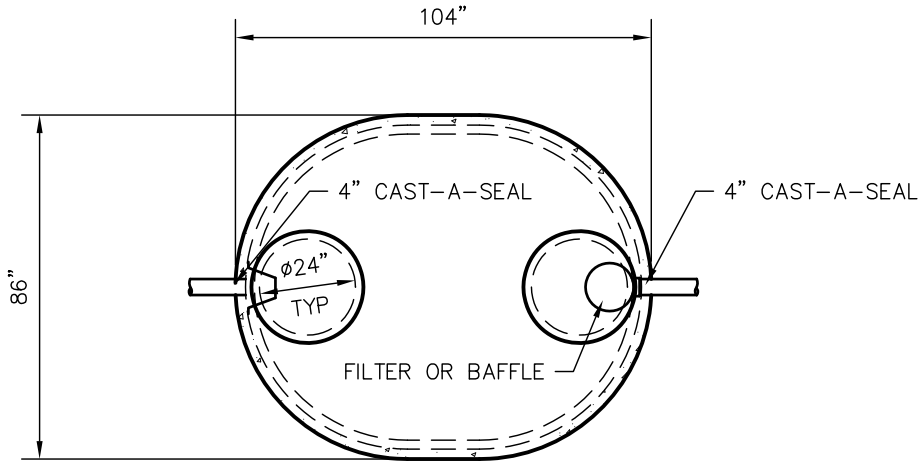
HOLDING TANK:
 OUTLET HOLE PLUGGED
 ACTUAL CAPACITY: 1,340 GALLONS

LOADING DESIGN: 8' 0" UNSATURATED SOIL

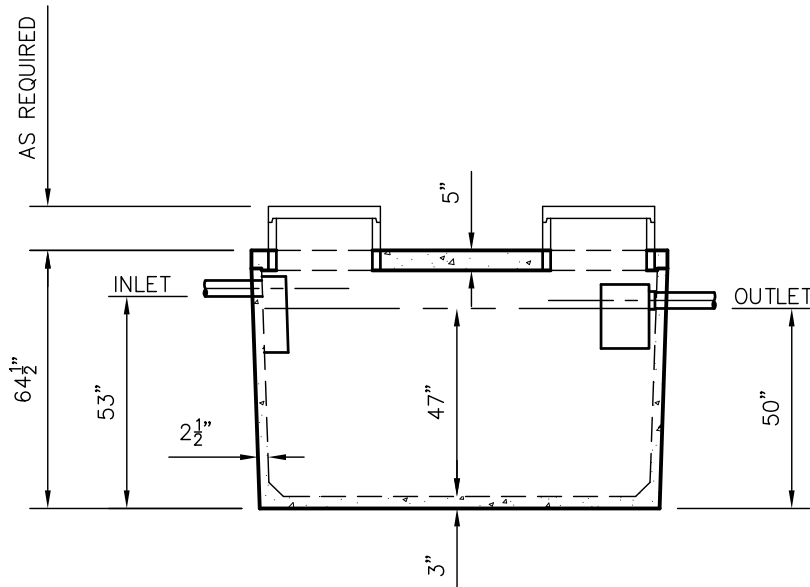
TANK CAN BE USED AS:
 SEPTIC/ HOLDING/ PUMP OR SIPHON

COVER: MIX DESIGN #8 (NO FIBER)
 TANK: MIX DESIGN #10 (STRUCTURAL FIBER)

CUSTOMIZED TANKS:
 FOR CUSTOM TANKS CONTACT WIESER CONCRETE



TOP VIEW



SIDE VIEW

TANKS ARE MANUFACTURED TO MEET OR EXCEED ASTM C-1227 REQUIREMENTS

DRAWINGS SUBMITTED FOR APPROVAL	
APPROVED BY: _____	_____
APPROVAL DATE: _____	_____
PRODUCTS NEEDED BY: _____	_____

W1250-MR	SCALE: 1/4" = 1'-0"	PRE-POUR:	
DRAWN BY: WCP	REV. _____	POST-POUR:	
DATE: 00/00/00	DATE: _____		
<p>WIESER CONCRETE W3716 US HWY 10 MAIDEN ROCK, WI 54750 800-325-8456</p>			
W1250-MR	SEPTIC MANUAL		
		SHEET NO.	
		1	OF 1