

# W1250/750-MR TANK SPECIFICATIONS

## DIMENSIONS:

WALL: 2 1/2"  
 BOTTOM: 3"  
 COVER: 6"  
 MANHOLE: 24" I.D. PRECAST CONCRETE RISER  
 HEIGHT: 66" O.D.  
 LENGTH: 155" O.D.  
 WIDTH: 86" O.D.  
 BELOW INLET: 53" O.D.  
 LIQUID LEVEL: 48"  
 WEIGHT: 14,860 LBS. SEPTIC

## INLET AND OUTLET:

4" CAST-A-SEAL BOOT OR EQUAL  
 GASKET, CAST-A-SEAL BOOT OR EQUAL

## INLET AND OUTLET BAFFLE AND FILTER:

WISCONSIN, SEE DETAIL #10  
 (OTHER STATES SEE CHART)

LIQUID CAPACITY: 27.66 GAL/IN (SEPTIC)  
 16.12 GAL/IN (PUMP)

LOADING DESIGN: 8' 0" UNSATURATED SOIL

## TANK CAN BE USED AS:

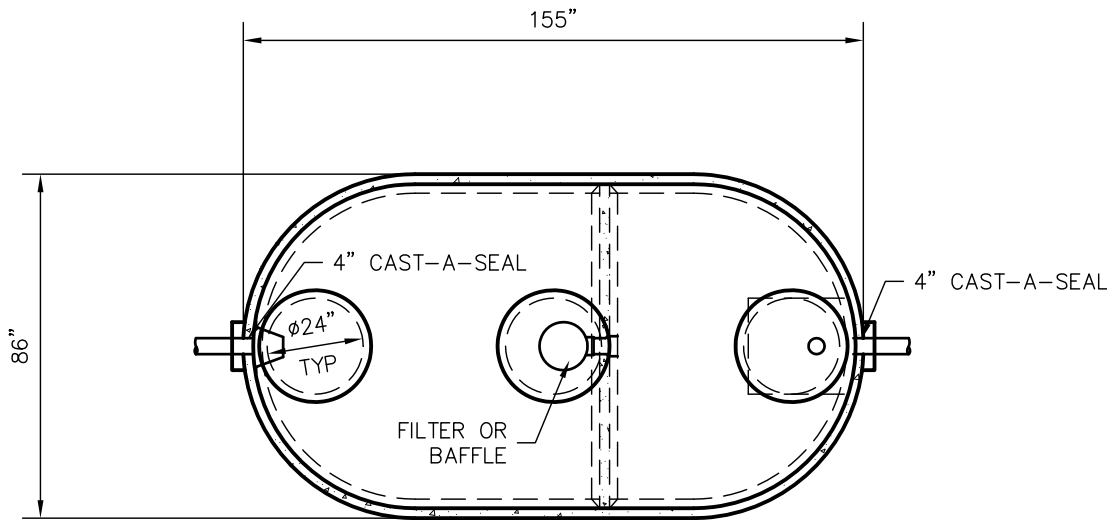
SEPTIC/SEPTIC, SEPTIC/PUMP  
 OR SEPTIC/SIPHON

COVER: MIX DESIGN #8 (NO FIBER)

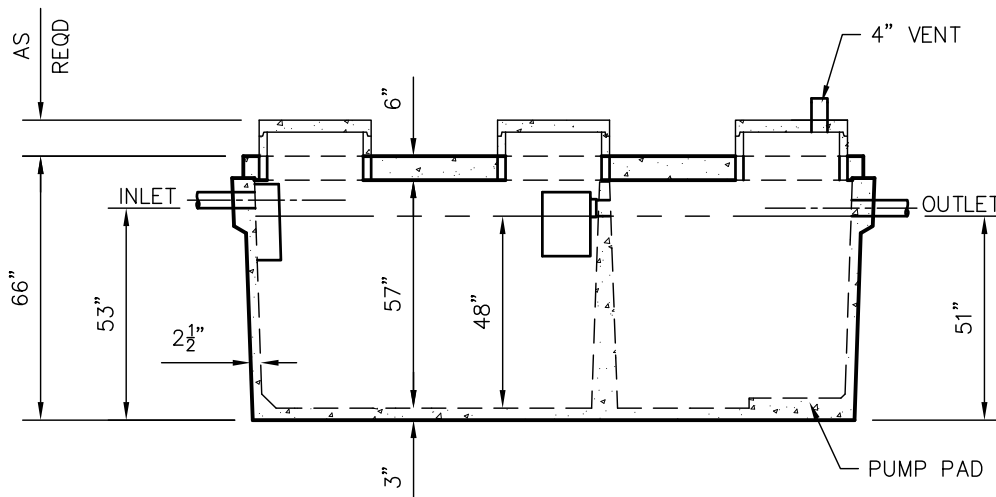
TANK: MIX DESIGN #10 (STRUCTURAL FIBER)

## CUSTOMIZED TANKS:

FOR CUSTOM TANKS CONTACT WIESER CONCRETE



TOP VIEW



SIDE VIEW

TANKS ARE MANUFACTURED TO MEET OR EXCEED ASTM C-1227 REQUIREMENTS

**DRAWINGS SUBMITTED  
FOR APPROVAL**

APPROVED BY: \_\_\_\_\_  
 APPROVAL DATE: \_\_\_\_\_  
 PRODUCTS NEEDED BY: \_\_\_\_\_

SHEET NO.

1 OF 1

DRAWN BY: WCP  
 DATE: 00/00/00  
 FILE: W1250/750-MR

SCALE: 1/4"=1'-0"  
 REV.  
 DATE:

PRE-FOUR:  
 POST-POUR:

**WIESER CONCRETE**  
 W3716 US HWY 10 MAIDEN ROCK, WI 54750  
 800-325-8456

W1250/750-MR  
 SEPTIC MANUAL