

W1000-P TANK SPECIFICATIONS

DIMENSIONS:

WALL: 2-1/2"
 BOTTOM: 2-1/2"
 COVER: 4"
 MANHOLE: 24" I.D. PRECAST CONCRETE RISER
 HEIGHT: 57-1/2" O.D.
 LENGTH: 121" O.D.
 WIDTH: 67" O.D.
 BELOW INLET: 46-1/2" O.D.
 LIQUID LEVEL: 42"
 WEIGHT: 8,700 LBS.

INLET AND OUTLET:

4" CAST-A-SEAL BOOT OR EQUAL

INLET AND OUTLET Baffle AND FILTER:

SEE DETAIL #10

LIQUID CAPACITY: 26.00 GAL/IN

LOADING DESIGN: 8' 0" UNSATURATED SOIL

HOLDING TANK:

OUTLET HOLE PLUGGED
 ACTUAL CAPACITY: 1144 GALLONS

TANK CAN BE USED AS:

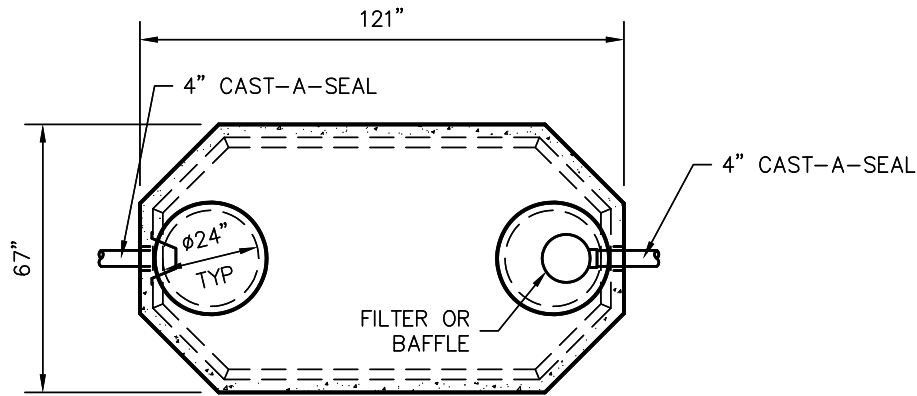
SEPTIC/ HOLDING/ PUMP OR SIPHON

COVER: MIX DESIGN #8 (NO FIBER)

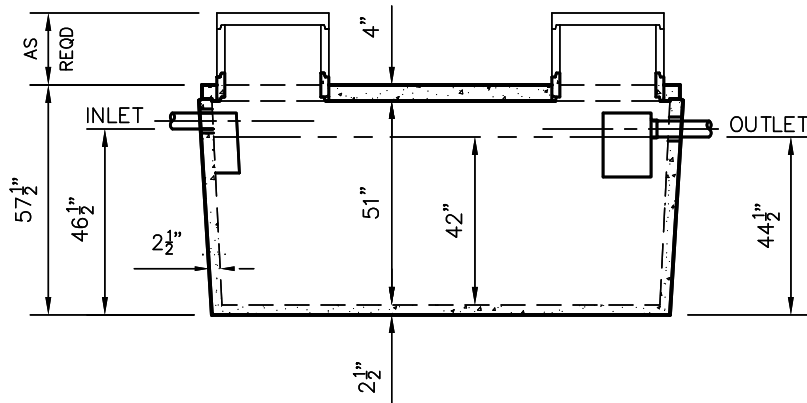
TANK: MIX DESIGN #10 (STRUCTURAL FIBER)

CUSTOMIZED TANKS:

FOR CUSTOM TANKS CONTACT WIESER CONCRETE



TOP VIEW



SIDE VIEW

TANKS ARE MANUFACTURED TO MEET OR EXCEED ASTM C-1227 REQUIREMENTS

**DRAWINGS SUBMITTED
FOR APPROVAL**

APPROVED BY: _____
 APPROVAL DATE: _____
 PRODUCTS NEEDED BY: _____

PRE-POUR:

POST-POUR:

SCALE: 1/4"=1'-0"

REV. DATE:

DRAWN BY: WCP

DATE: 00/00/00

FILE: W1000-P

WIESER CONCRETE

W3716 US HWY 10 MAIDEN ROCK, WI 54750

800-325-8456

W1000-P

SEPTIC MANUAL

SHEET NO.

1 OF 1