



HOOT SYSTEMS, LLC.
www.hootsystems.com

600 GPD GRAVITY DISCHARGE SYSTEM
H-600 A

H-600 A TANK SPECIFICATIONS

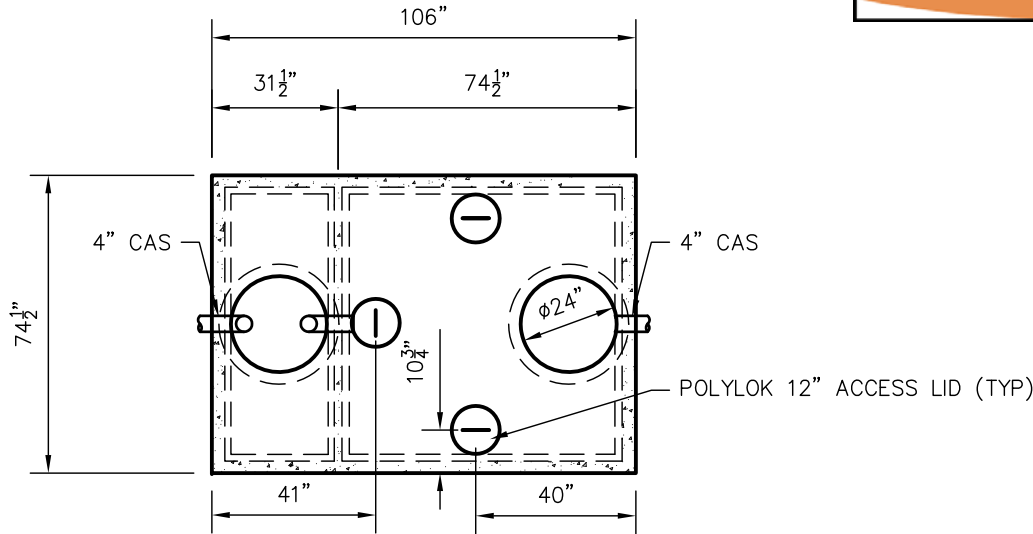
DIMENSIONS:

WALL: 3"
BOTTOM: 3"
COVER: 4"
MANHOLE: 12" & 24" I.D. PLASTIC RISER
HEIGHT: 70" O.D.
LENGTH 106" O.D.
WIDTH: 74 1/2" O.D.
BELOW INLET: 57" O.D.
LIQUID LEVEL: 51"
WEIGHT: 11,135 LBS.

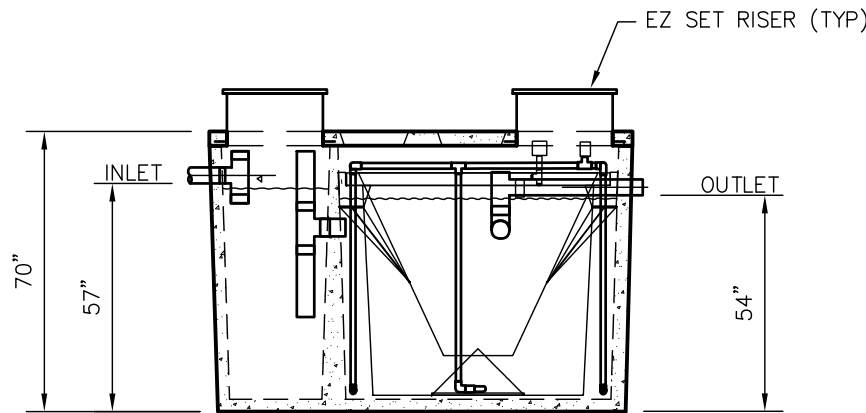
INLET AND OUTLET:
4" CAST-A-SEAL (CAS) BOOT OR EQUAL

COVER: MIX DESIGN #8 (NO FIBER)
TANK: MIX DESIGN #9 (SMALL FIBER)

CUSTOMIZED TANKS:
FOR CUSTOM TANKS CONTACT WIESER CONCRETE



TOP VIEW



SIDE VIEW

TANKS ARE MANUFACTURED TO MEET OR EXCEED ASTM C-1227 REQUIREMENTS

**DRAWINGS SUBMITTED
FOR APPROVAL**

APPROVED BY: _____
APPROVAL DATE: _____
PRODUCTS NEEDED BY: _____

PRE-POUR:
POST-POUR:

SCALE: 1/4" = 1'-0"
REV. DATE:

DRAWN BY: WCP
DATE: 00/00/00

FILE: H-600A

WIESER CONCRETE
W3716 US HWY 10 MAIDEN ROCK, WI 54750
800-325-8456

H-600 A 600 GPD
SEPTIC MANUAL

SHEET NO.
1 OF 1