



HOOT SYSTEMS, LLC.
www.hootsystems.com

500 GPD GRAVITY DISCHARGE SYSTEM
H-500 A

H-500 A TANK SPECIFICATIONS

DIMENSIONS:

- WALL: 3"
- BOTTOM: 3"
- COVER: 4"
- MANHOLE: 12" & 24" I.D. PLASTIC RISER
- HEIGHT: 70" O.D.
- LENGTH 105 1/2" O.D.
- WIDTH: 74 1/2" O.D.
- BELOW INLET: 57" O.D.
- LIQUID LEVEL: 51"
- WEIGHT: 11,135 LBS.

INLET AND OUTLET:

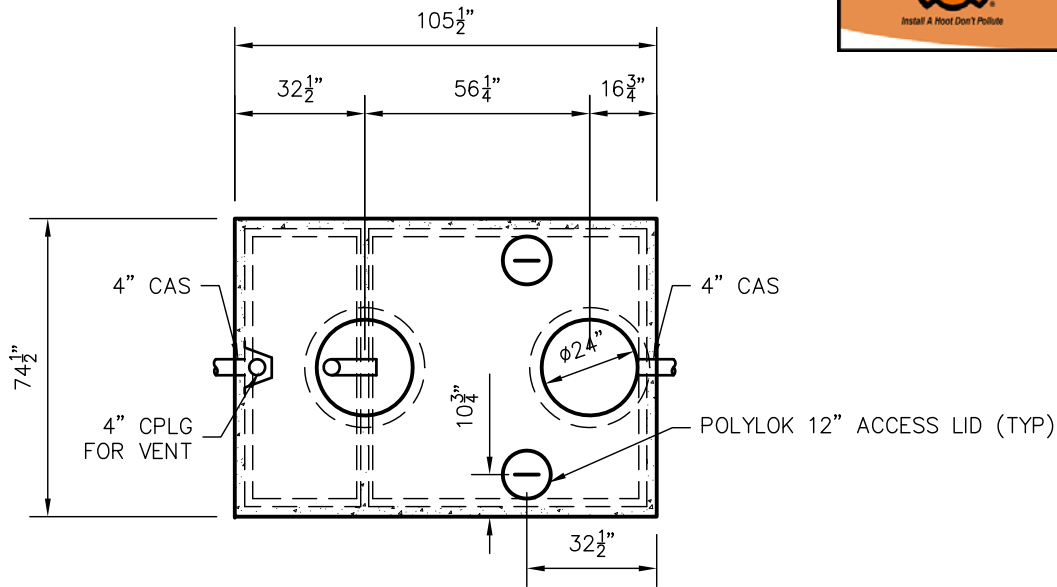
4" CAST-A-SEAL (CAS) BOOT OR EQUAL

COVER: MIX DESIGN #8 (NO FIBER)

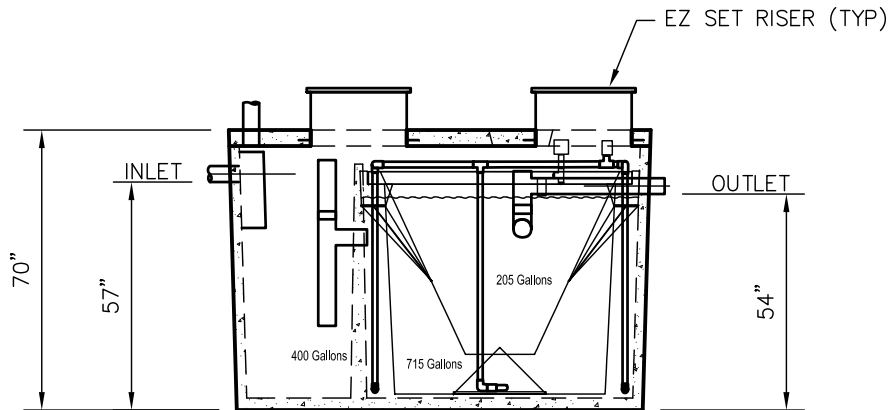
TANK: MIX DESIGN #9 (SMALL FIBER)

CUSTOMIZED TANKS:

FOR CUSTOM TANKS CONTACT WIESER CONCRETE



TOP VIEW



SIDE VIEW

TANKS ARE MANUFACTURED TO MEET OR EXCEED ASTM C-1227 REQUIREMENTS

**DRAWINGS SUBMITTED
FOR APPROVAL**

APPROVED BY: _____

APPROVAL DATE: _____

PRODUCTS NEEDED BY: _____

PRE-POUR:

SCALE: 1/4"=1'-0"

REV. DATE:

DRAWN BY: WCP

DATE: 00/00/00

POST-POUR:

FILE: H-500A

WIESER CONCRETE

W3716 US HWY 10 MAIDEN ROCK, WI 54750

800-325-8456

H-500 A 500 GPD

SEPTIC MANUAL

SHEET NO.

1 OF 1