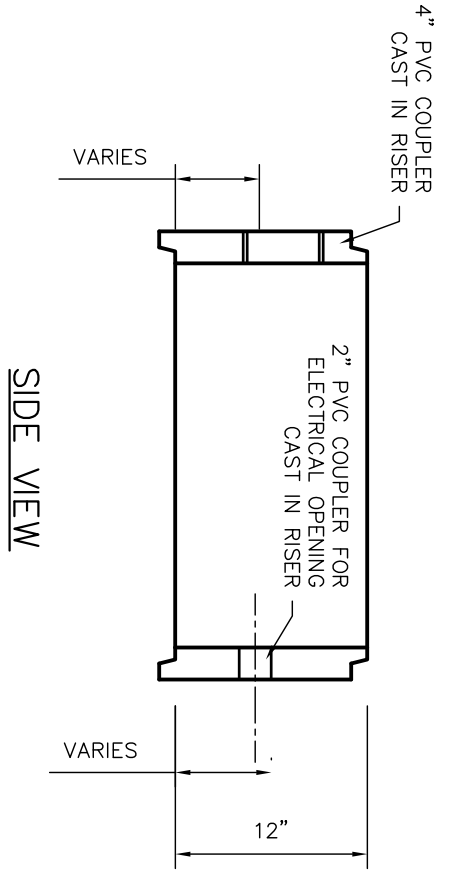
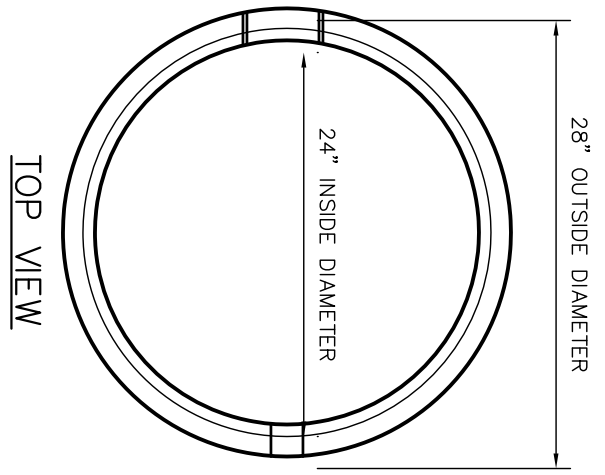


DETAIL 6
RISER WITH 2" AND 4" COUPLINGS



1 OF 1 SHEET NO.	RISER WITH 2" AND 4" COUPLINGS SEPTIC MANUAL REV. JAN. 2010	WIESER CONCRETE W3716 US HWY 10 MAIDEN ROCK, WI 54750 800-325-8456	DRAWN BY: SWT	SCALE: 1"=1'-0"	PRE-POUR:
			DATE: JANUARY 2010	REV. DATE:	POST-POUR:
			FILE: SHEET 6		