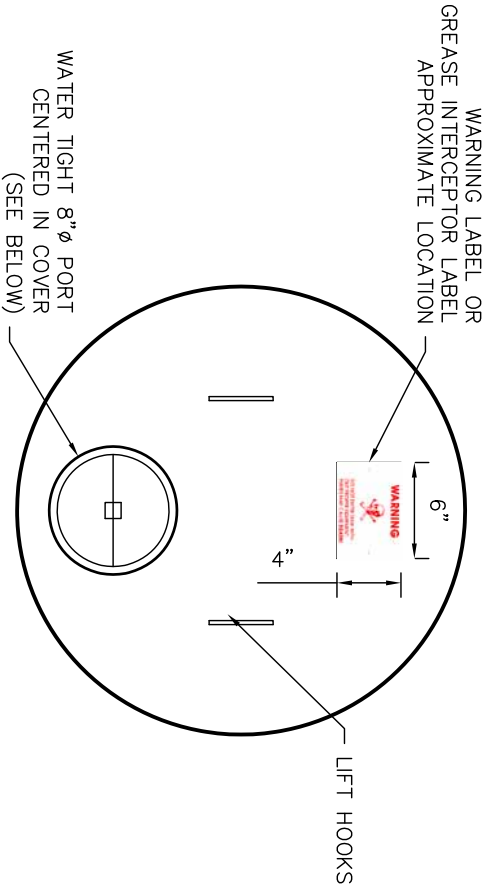
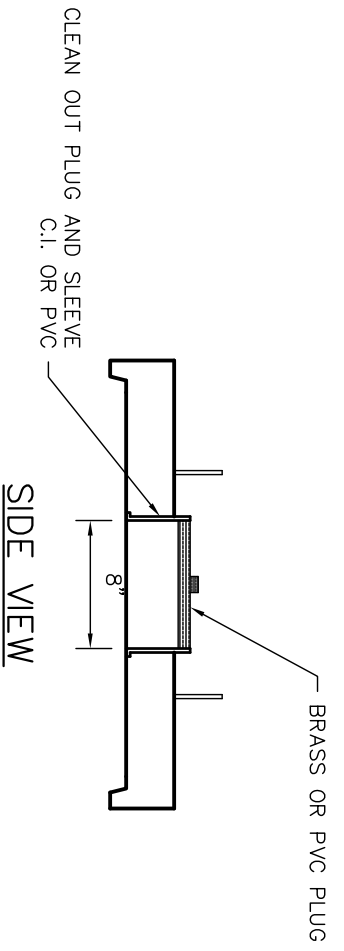


DETAIL 4  
 WATER TIGHT 8"  $\phi$  SERVICE PORT  
 (CLEAN OUT)



TOP VIEW



SIDE VIEW

SHEET NO. 1 OF 1	WATER TIGHT 8" DIA. SERVICE PORT (CLEAN OUT)	<b>WIESER CONCRETE</b> W3716 US HWY 10 MAIDEN ROCK, WI 54750 800-325-8456	DRAWN BY: SWT	SCALE: 1"=1'-0"	PRE-POUR:
	SEPTIC MANUAL REV. JAN. 2010		DATE: JANUARY 2010	REV. DATE:	POST-POUR:
	FILE: SHEET 4				