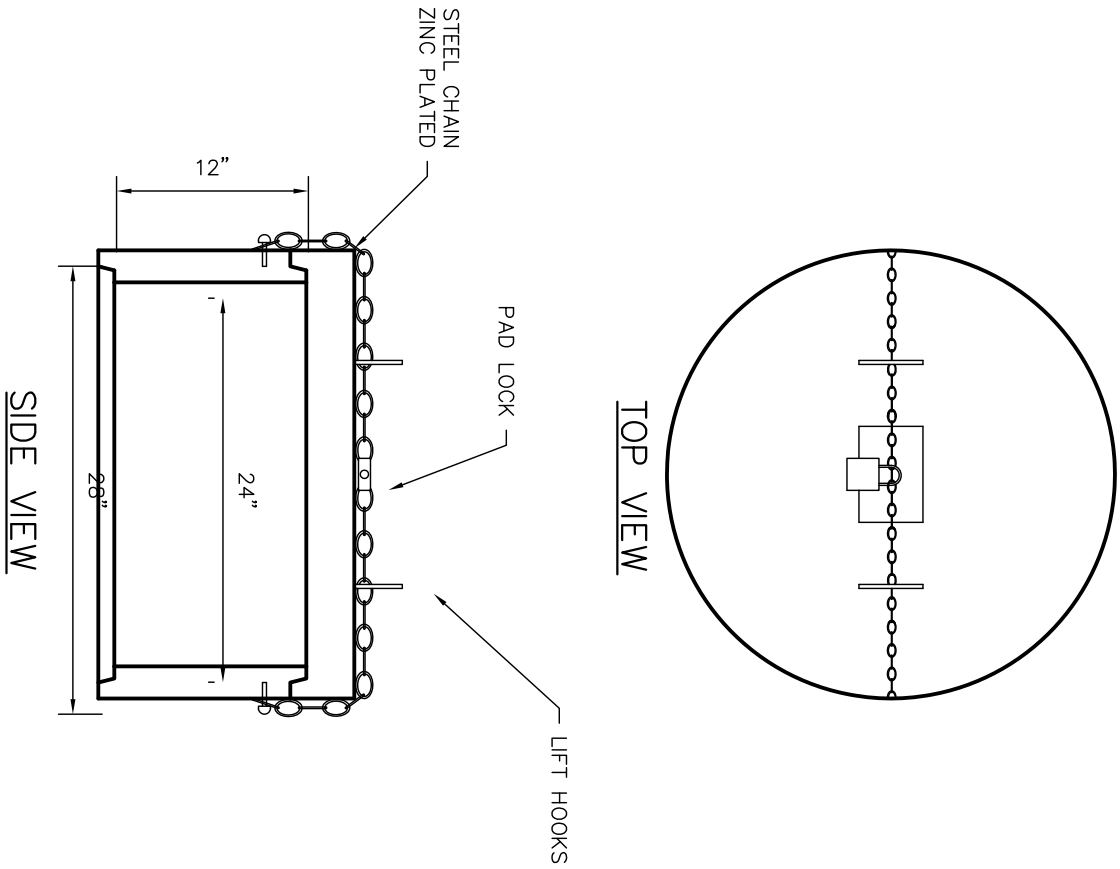


DETAIL 3  
LOCK DOWN COVER AND RISER DETAIL



CONCRETE SEALANTS TYP.  
 OR EQUAL FOR ALL JOINTS  
 (SEE DETAIL 14)

SHEET NO.  
 1 OF 1

LOCK DOWN COVER  
 AND RISER DETAIL  
 SEPTIC MANUAL  
 REV. JAN. 2010

**WIESER CONCRETE**  
 W3716 US HWY 10 MAIDEN ROCK, WI 54750  
 800-325-8456

DRAWN BY: SWT	SCALE: 1"=1'-0"	PRE-POUR:
DATE: JANUARY 2010	REV. DATE:	POST-POUR:
FILE: SHEET 3		