

**EAST JORDAN  
IRON WORKS, INC.**  
P.O. BOX 439  
EAST JORDAN, MI. 49727  
1-800-874-4100  
FAX: 231-536-4458

DRAWN SMH	DATE 11/26/01
APPROVED	DATE

**SPECIAL LETTERED  
WATERTITE  
ASSEMBLY**

PRODUCT NO.  
**00149007**

CATALOG NO.  
**1130A2PT  
1490Z2PT**

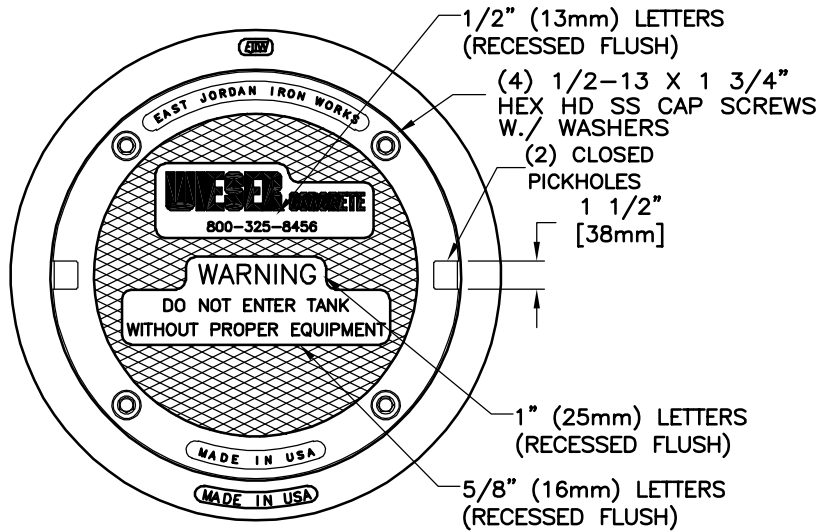
REF. PRODUCT DRAWING  
00113098  
00149022

EST. WT.  
COVER: 85 LBS 38kg  
FRAME: 75 LBS 34kg  
UNIT: 160 LBS 72kg

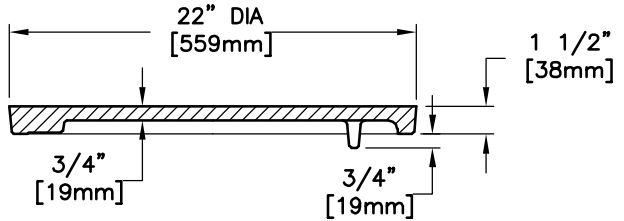
OPEN AREA  
N/A

MAT'L SPEC.  
COVER - GRAY IRON  
ASTM A48 CL35  
FRAME - GRAY IRON  
ASTM A48 CL35

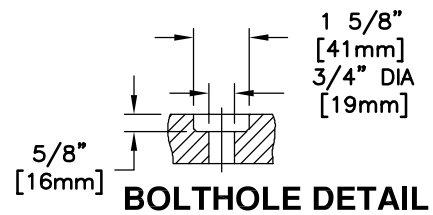
LOAD RATING  
**HEAVY DUTY**



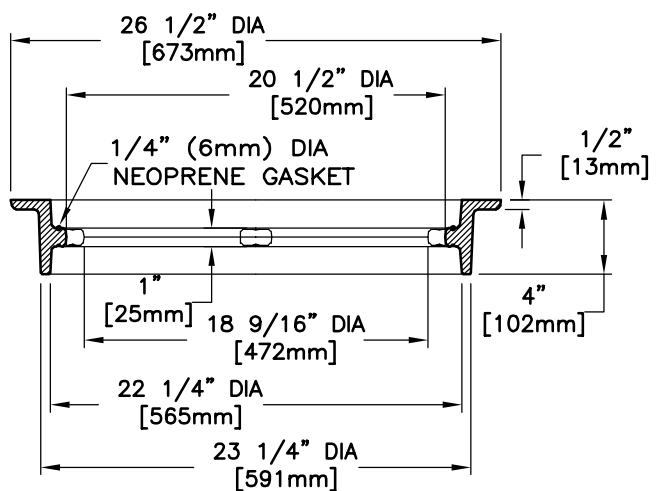
**BOTTOM VIEW  
OF COVER**



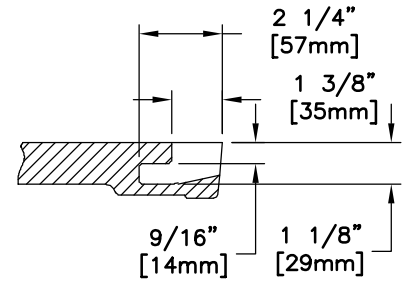
**COVER SECTION**



**BOLTHOLE DETAIL**



**FRAME SECTION**



**PICKHOLE  
DETAIL**

DETAIL 2A  
NOV 2002