

DETAIL 16A DROP BOX

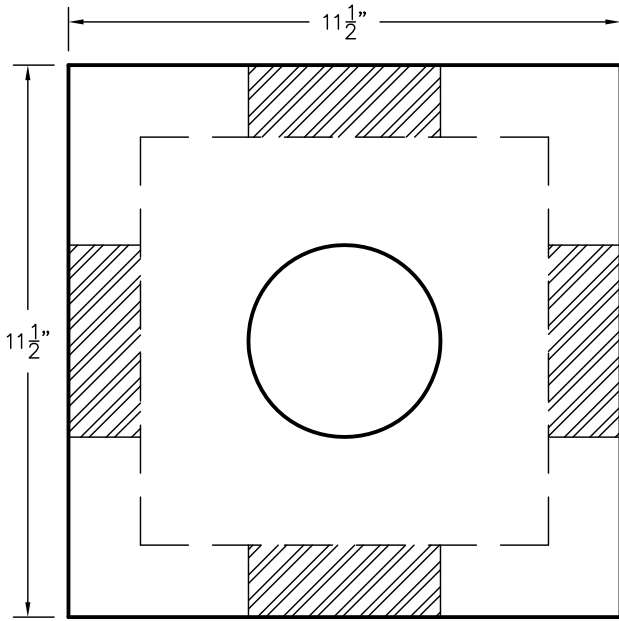
DIMENSIONS:

HEIGHT: 16" O.D.
 LENGTH: 11 1/2" O.D.
 WIDTH: 11 1/2" O.D.
 BELOW INLET: 8 1/2" O.D.

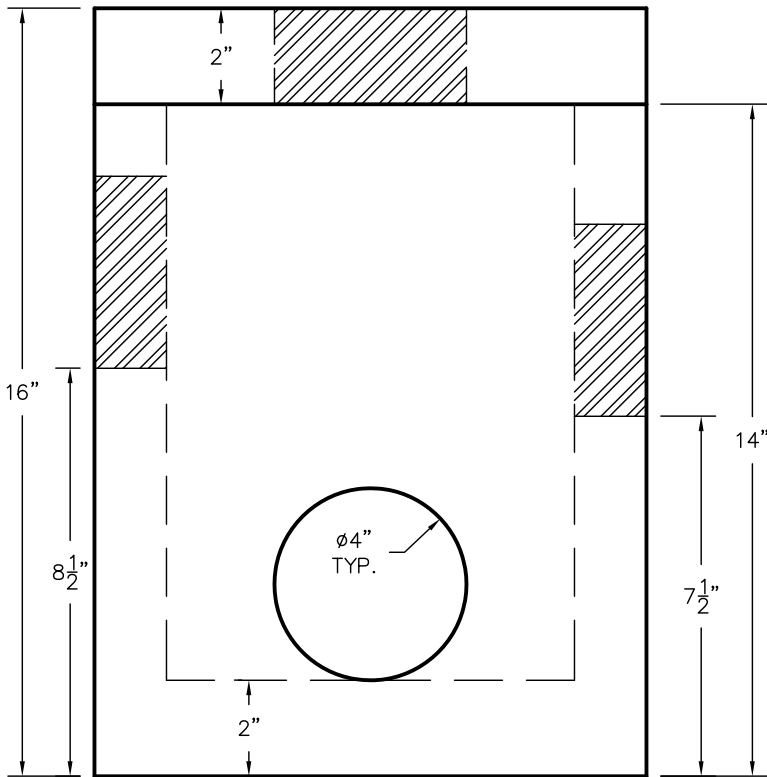
WEIGHT: 108 LBS.

INLET AND OUTLET:

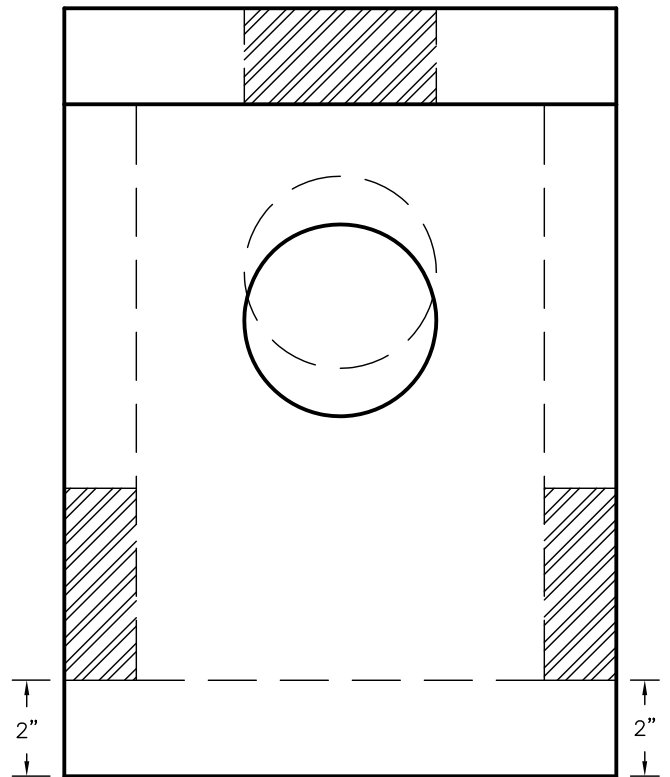
4" CAST-A-SEAL BOOT OR EQUAL



TOP VIEW



SIDE VIEW



END VIEW

1 OF 1
SHEET NO.

DROP BOX
 SEPTIC MANUAL
 REV. JAN. 2010

WIESER CONCRETE
 W3716 US HWY 10 MAIDEN ROCK, WI 54750
 800-325-8456

DRAWN BY: SWT

SCALE: 3" = 1'-0"

PRE-POUR:

DATE: JANUARY 2010

REV.
DATE:

POST-POUR:

FILE: SHEET 16A