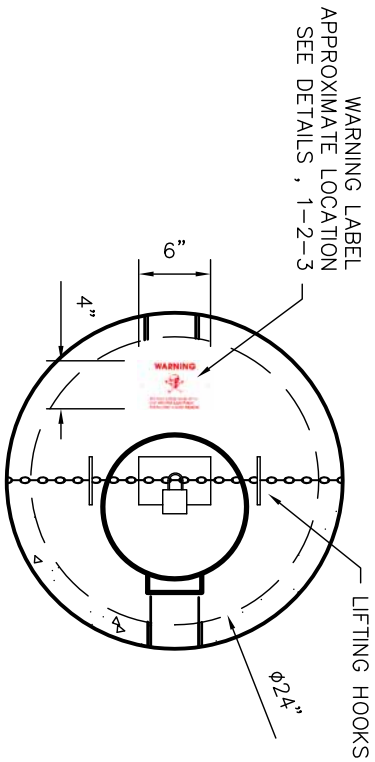
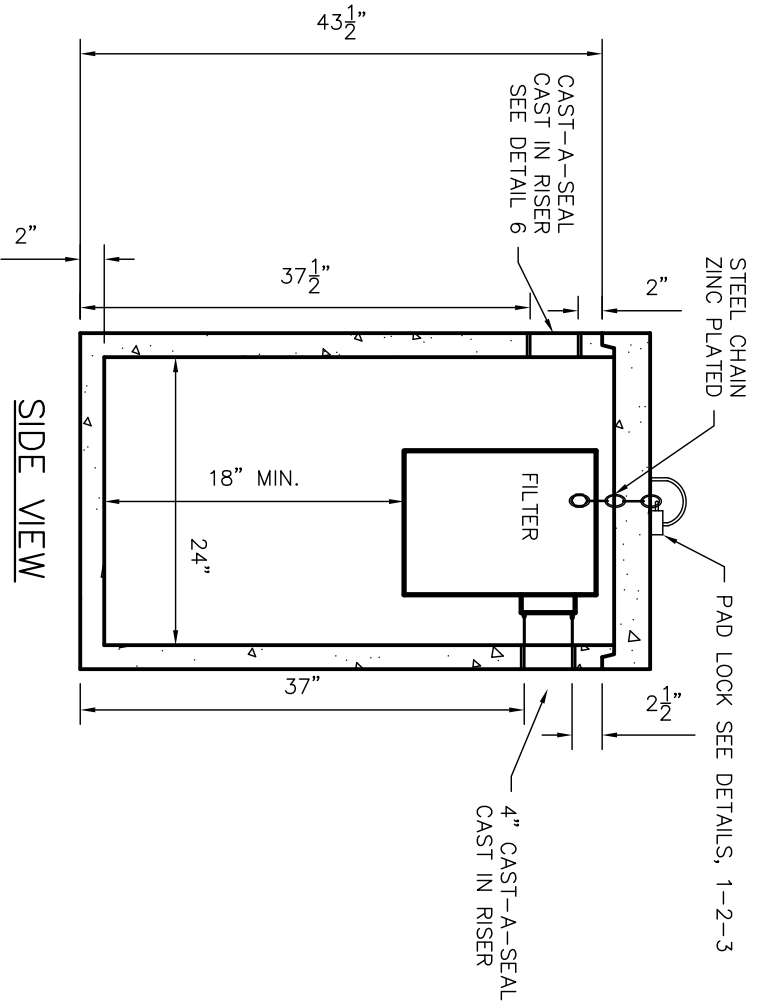


DETAIL 13
FILTER CANISTER DETAIL



CONCRETE SEALANTS TYP.
 OR EQUAL FOR ALL JOINTS
 (SEE DETAIL 5)



1 OF 1 SHEET NO.	FILTER CANISTER DETAIL	WIESER CONCRETE W3716 US HWY 10 MAIDEN ROCK, WI 54750 800-325-8456	DRAWN BY: SWT	SCALE: 3/4" = 1'-0"	PRE-POUR:
	SEPTIC MANUAL REV. JAN. 2010		DATE: JANUARY 2010	REV. DATE:	POST-POUR:
			FILE: SHEET 13		