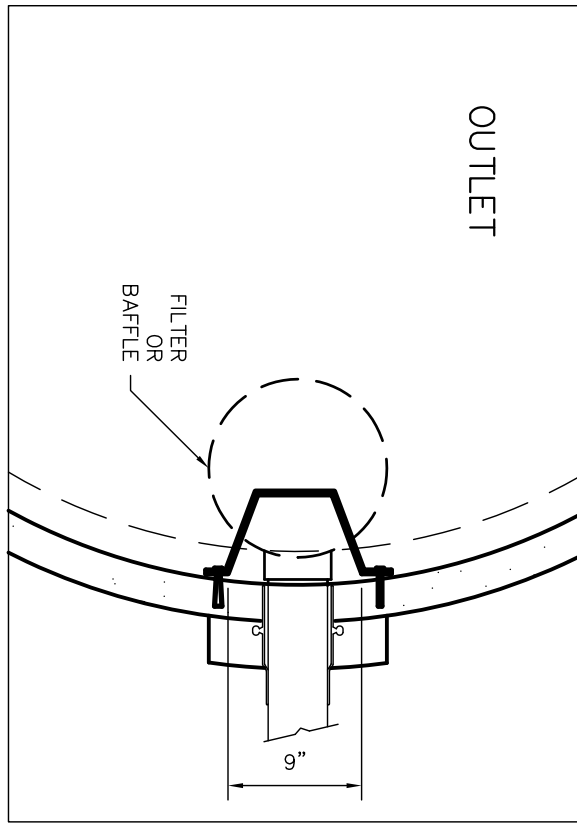
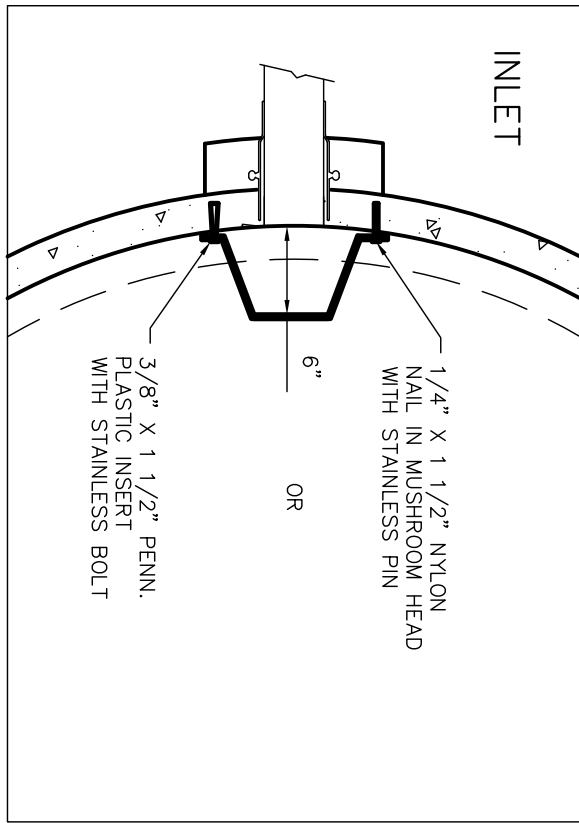


DETAIL 10
 WISCONSIN BAFFLE AND FASTENER DETAIL
 SEE BAFFLE CHART FOR OTHER STATES

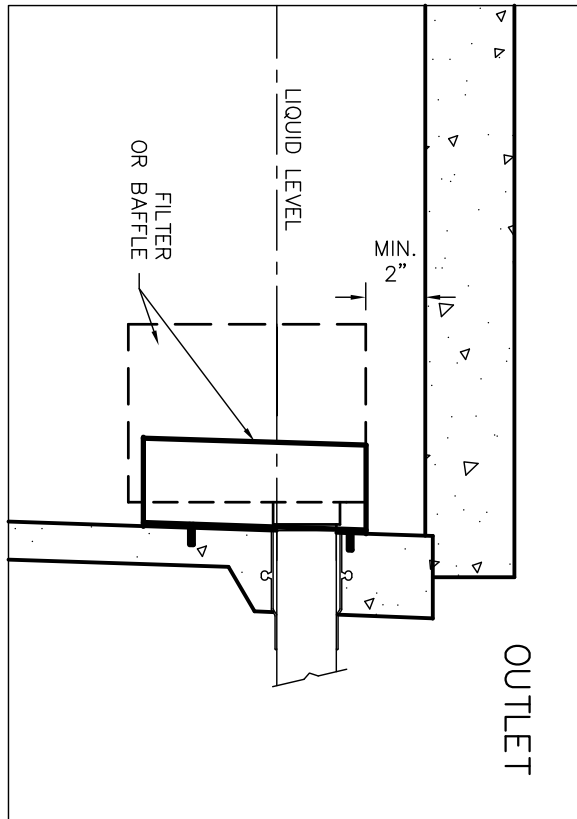


TOP VIEW

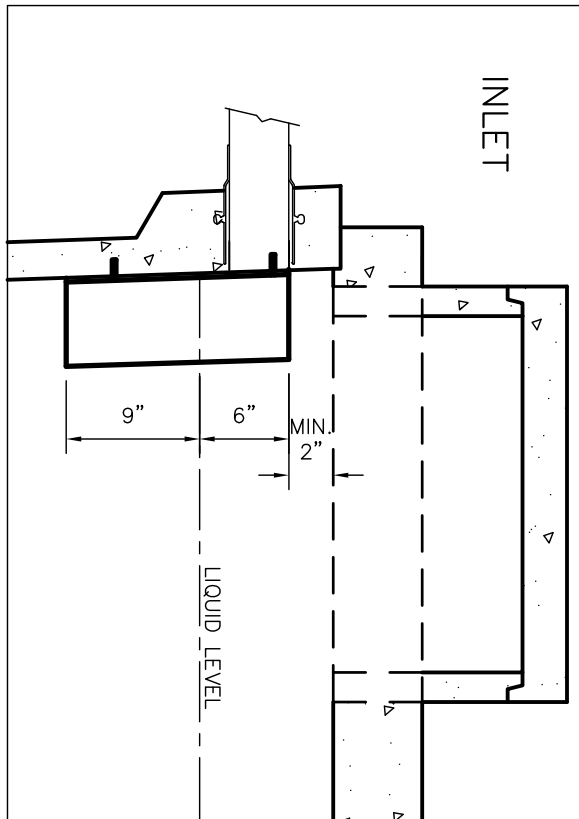


INLET

1/4" X 1 1/2" NYLON NAIL IN MUSHROOM HEAD WITH STAINLESS PIN
 OR
 3/8" X 1 1/2" PENN. PLASTIC INSERT WITH STAINLESS BOLT



SIDE VIEW



INLET