

4" STAINLESS STEEL VENT WITH BIRDSCREEN (PAINTED OPTIONAL)

4" CAST-A-SEAL BOOT

STANDARD DRAWING
90X144X96 I.V.V.

HOLES FOR CONDUIT (QTY & SIZE AS REQ'D) TO BE GROUTED IN FIELD. (CONDUIT CAST INTO COVER OPTIONAL)

WEIGHT: 11,000 LBS.

STEPS @ 16" O.C.

10"
18"
18"
AS REQUIRED
EQUAL (96" MAX)
EQUAL (96" MAX)

FORCEMAIN WITH BOOT AS REQUIRED

WEIGHT: 9,490 LBS.

2" BACK FLOW PREVENTER (BY OTHERS). DRAIN COUPLING ON BOTTOM TO FIELD INSTALL 2" PVC DRAIN PIPE.

OVERALL HEIGHT PER JOB REQUIREMENTS

13"
96" MAX
AS REQUIRED
90" MAX

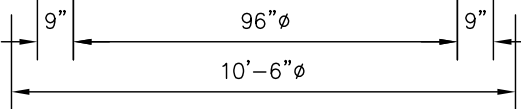
PVC DRAIN PIPE SUPPLIED BY WIESER

CUSTOM BASE SIZES ALSO AVAILABLE TO PREVENT FLOATATION.

INFLUENT PIPE WITH BOOT AS REQUIRED

- CHECKLIST**
- PSX-BOOT
 - O-RINGS
 - BUTYL RUBBER
 - WRAP
 - STEPS

PRE-POUR
WALL THICKNESS: _____
REINFORCING: _____
POST-POUR
WALL THICKNESS: _____



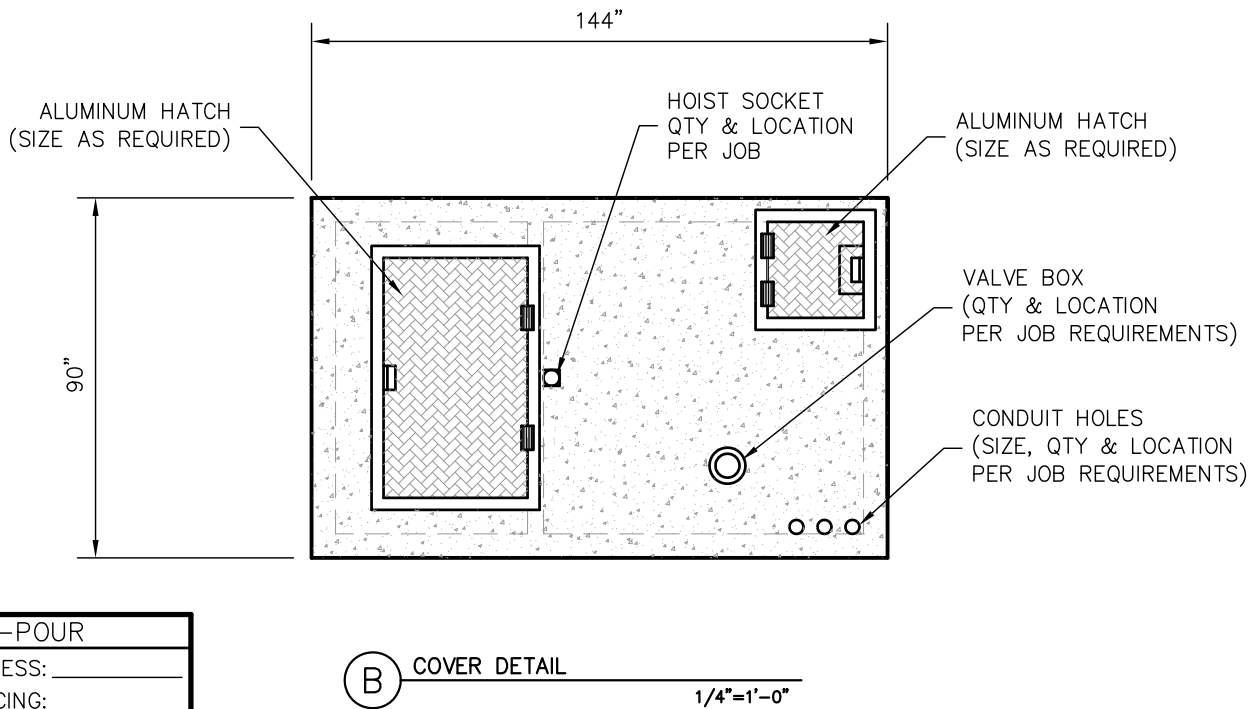
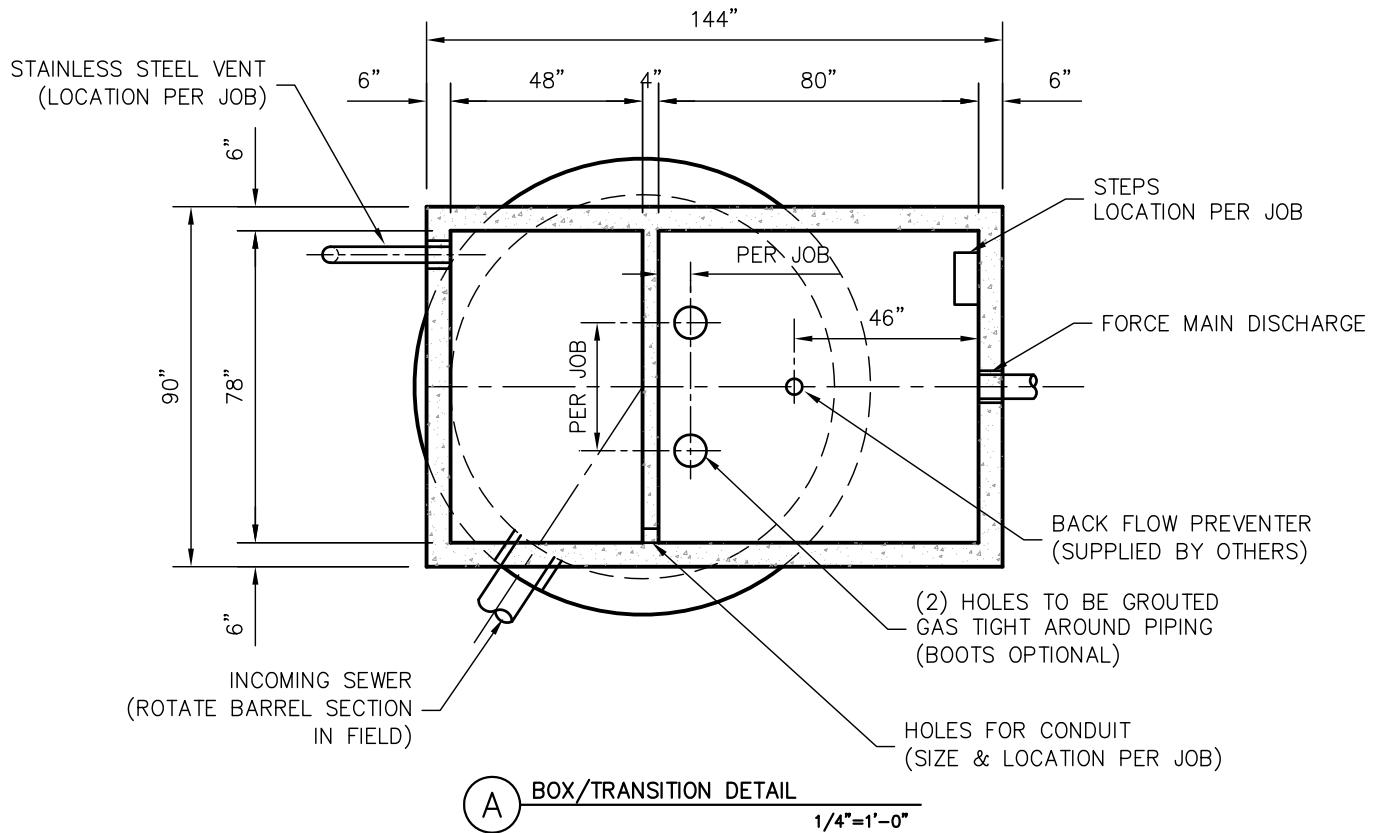
1 OVERALL SIDE VIEW
1/4"=1'-0"

DRAWINGS SUBMITTED FOR APPROVAL		
APPROVED BY: _____	DATE: _____	
APPROVAL DATE: _____	PRODUCTS NEEDED BY: _____	

SHEET NO. 1 OF 2	STANDARD DRAWING 90x144x96 I.V.V.
PH: -	
FAX: -	

WIESER CONCRETE
2815 RILEY ROAD PORTAGE, WI 53901
800-362-7220

DRAWN BY: S. EBERT	SCALE: 1/4"=1'-0"	PRE-POUR:
DATE: SEPT. 2009	REV. DATE:	POST-POUR:
FILE: \Standard IVV Drawings\2008\90x144x96 Standard IVV.DWG		



PRE-POUR
WALL THICKNESS: _____
REINFORCING: _____
POST-POUR
WALL THICKNESS: _____

SHEET NO.
2 OF 2

STANDARD DRAWING
90x144x96 I.V.V.

PH: -
FAX: -

WIESER CONCRETE
2815 RILEY ROAD PORTAGE, WI 53901
800-362-7220

DRAWN BY: S. EBERT

DATE: SEPT. 2009

FILE: \Standard IVV Drawings\2008\90x144x96 Standard IVV.DWG

SCALE: 1/4"=1'-0"

REV.
DATE:

PRE-POUR:

POST-POUR: