

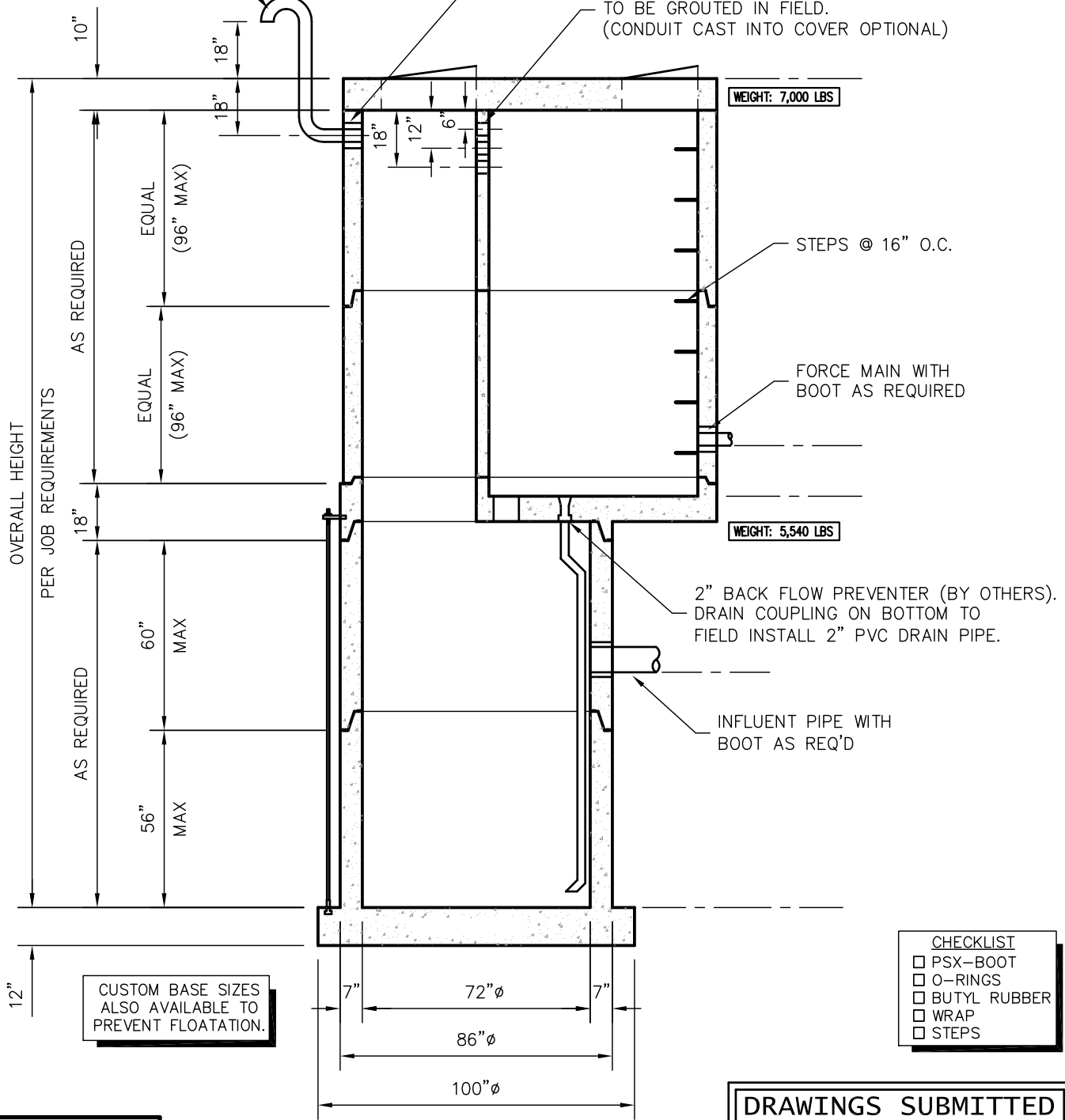
STANDARD DRAWING

72x118x72 I.V.V.

4" STAINLESS STEEL VENT WITH BIRDSCREEN (PAINTED OPTIONAL)

4" CAST-A-SEAL BOOT

(3) 3 1/2" HOLES FOR CONDUIT TO BE GROUTED IN FIELD. (CONDUIT CAST INTO COVER OPTIONAL)



OVERALL HEIGHT PER JOB REQUIREMENTS

AS REQUIRED

AS REQUIRED

12"

CUSTOM BASE SIZES ALSO AVAILABLE TO PREVENT FLOATATION.

WEIGHT: 7,000 LBS

WEIGHT: 5,540 LBS

- CHECKLIST
- PSX-BOOT
 - O-RINGS
 - BUTYL RUBBER
 - WRAP
 - STEPS

PRE-POUR	
WALL THICKNESS:	_____
REINFORCING:	_____
POST-POUR	
WALL THICKNESS:	_____

1 OVERALL SIDE VIEW 1/4"=1'-0"

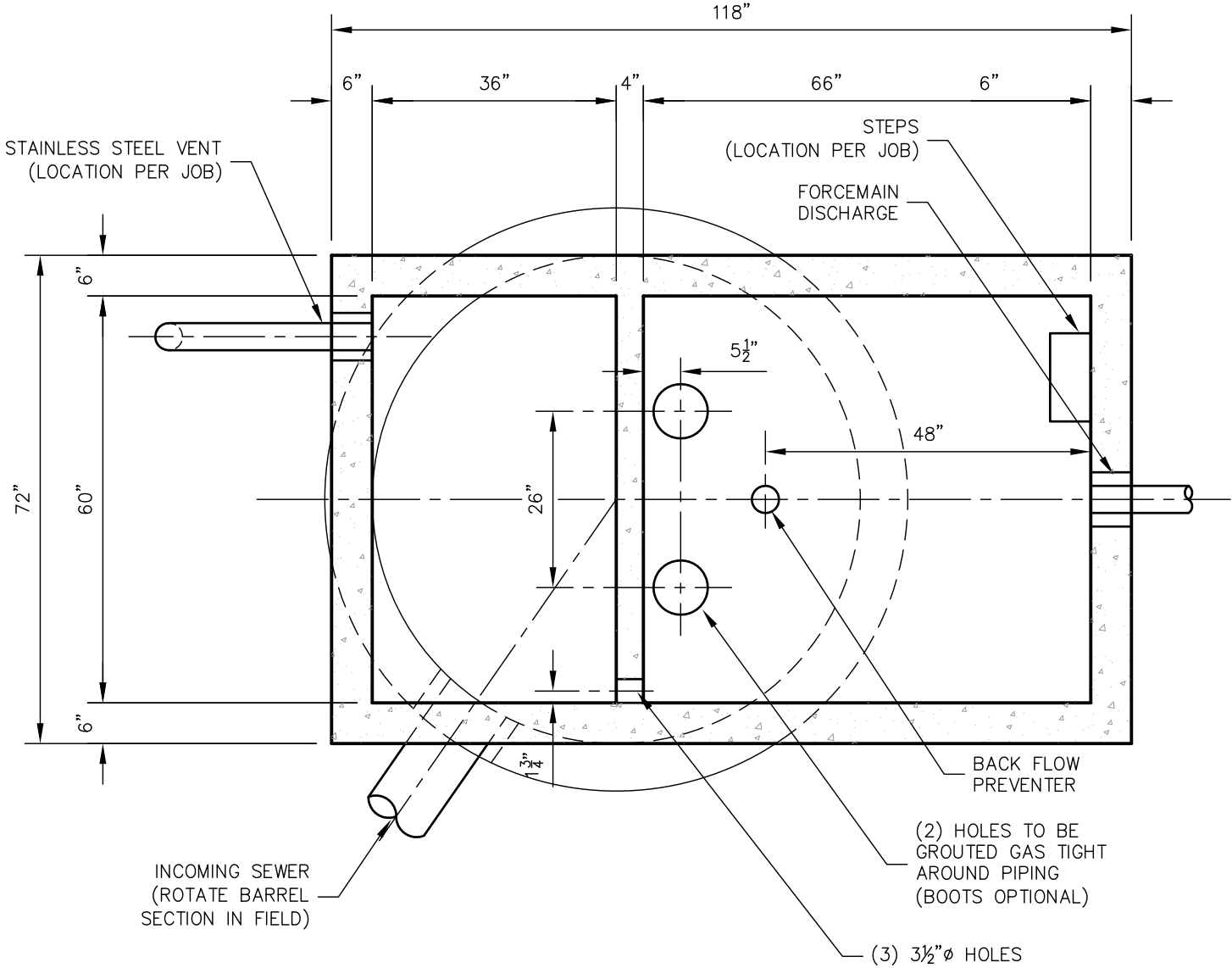
DRAWINGS SUBMITTED FOR APPROVAL

APPROVED BY: _____

APPROVAL DATE: _____

PRODUCTS NEEDED BY: _____

STANDARD DRAWING
72x118x72 I.V.V.



A BOX/TRANSITION DETAIL
1/2"=1'-0"

PRE-POUR
WALL THICKNESS: _____
REINFORCING: _____
POST-POUR
WALL THICKNESS: _____

SHEET NO.
2 OF 3

STANDARD DRAWING
72x118x72 I.V.V.
PH: -
FAX: -

WIESER CONCRETE
2815 RILEY ROAD PORTAGE, WI 53901
800-362-7220

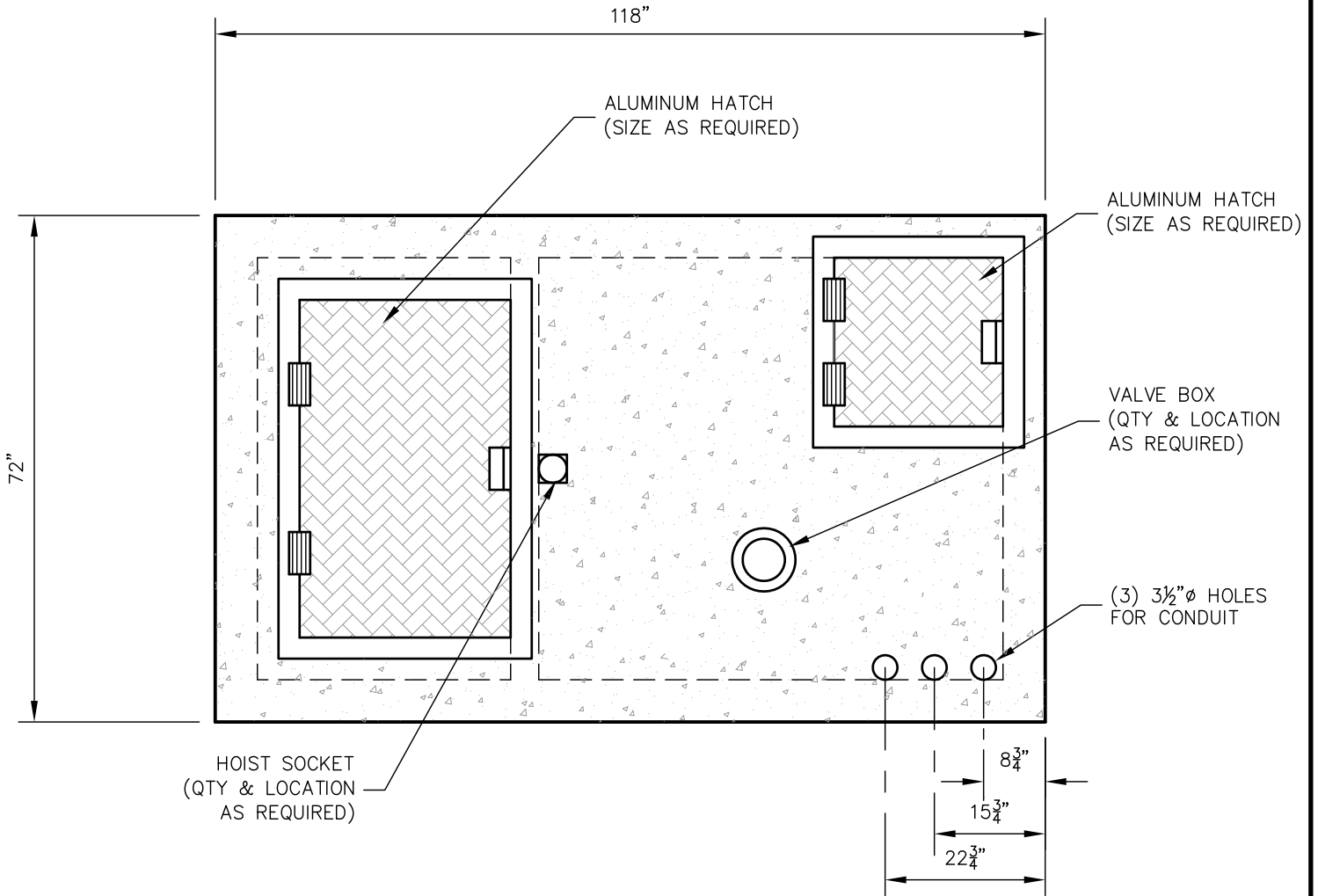
DRAWN BY: S. EBERT
DATE: OCTOBER, 2008

SCALE: 1/2"=1'-0"
REV.
DATE:

PRE-POUR:
POST-POUR:

FILE: \Standard IVV Drawings\2008\72x100x60 Standard IVV.DWG

STANDARD DRAWING
72x118x72 I.V.V.



(B) COVER DETAIL
1/2"=1'-0"

PRE-POUR
WALL THICKNESS: _____
REINFORCING: _____
POST-POUR
WALL THICKNESS: _____

SHEET NO.
3 OF 3

STANDARD DRAWING
72x118x72 I.V.V.
PH: -
FAX: -

WIESER CONCRETE
2815 RILEY ROAD PORTAGE, WI 53901
800-362-7220

DRAWN BY: S. EBERT
DATE: OCTOBER, 2008

SCALE: 1/2"=1'-0"
REV. DATE:

PRE-POUR:
POST-POUR:

FILE: \Standard IVV Drawings\2008\72x100x60 Standard IVV.DWG