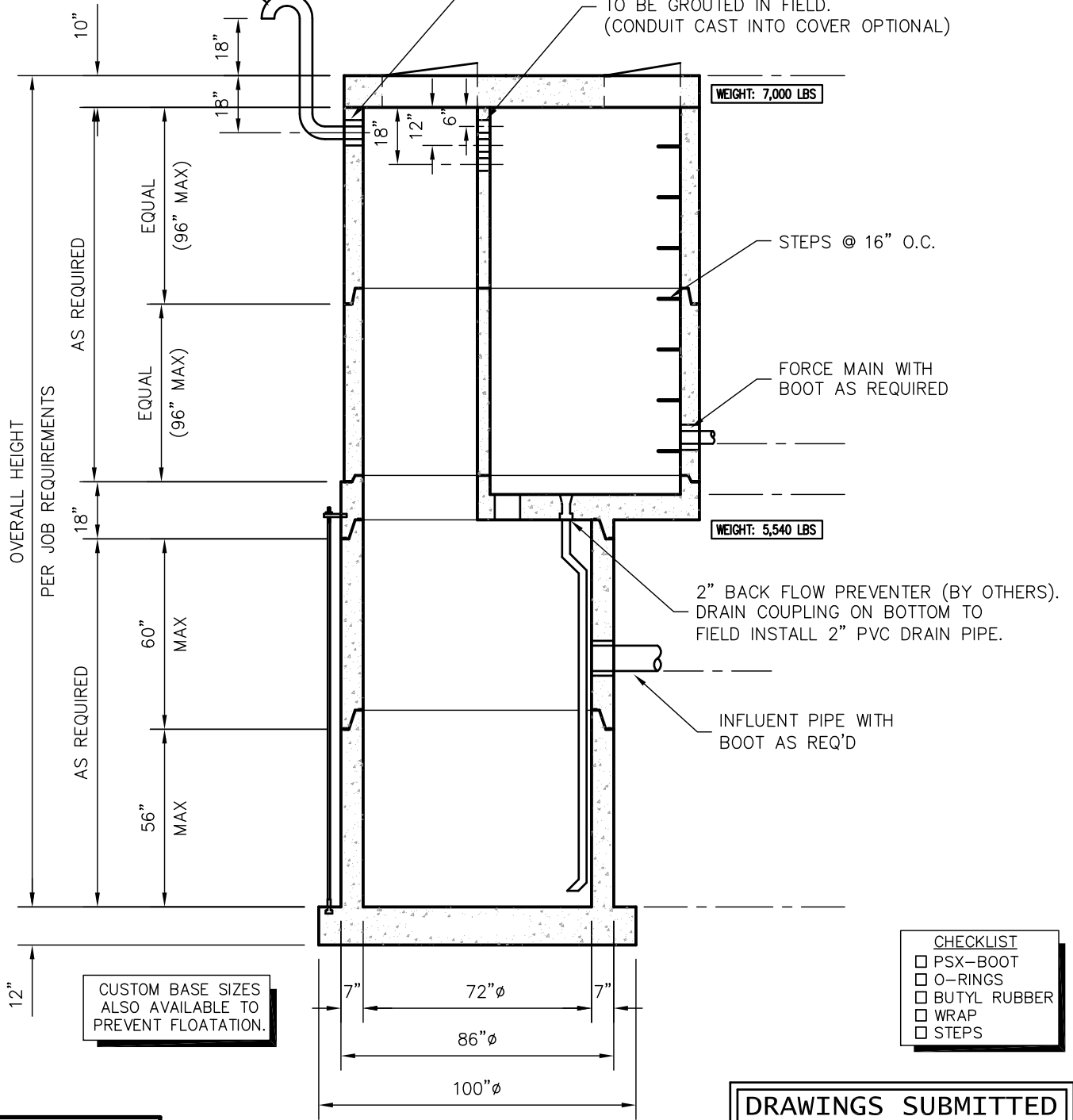


STANDARD DRAWING
72x112x72 I.V.V.

4" STAINLESS STEEL VENT WITH BIRDSCREEN (PAINTED OPTIONAL)

4" CAST-A-SEAL BOOT

(3) 3 1/2" HOLES FOR CONDUIT TO BE GROUTED IN FIELD. (CONDUIT CAST INTO COVER OPTIONAL)



OVERALL HEIGHT PER JOB REQUIREMENTS
AS REQUIRED
EQUAL (96" MAX)
EQUAL (96" MAX)
AS REQUIRED
60" MAX
56" MAX

WEIGHT: 7,000 LBS

WEIGHT: 5,540 LBS

CUSTOM BASE SIZES ALSO AVAILABLE TO PREVENT FLOATATION.

- CHECKLIST
- PSX-BOOT
 - O-RINGS
 - BUTYL RUBBER
 - WRAP
 - STEPS

DRAWINGS SUBMITTED FOR APPROVAL

APPROVED BY: _____
 APPROVAL DATE: _____
 PRODUCTS NEEDED BY: _____

1 OVERALL SIDE VIEW
1/4"=1'-0"

PRE-POUR	
WALL THICKNESS:	_____
REINFORCING:	_____
POST-POUR	
WALL THICKNESS:	_____

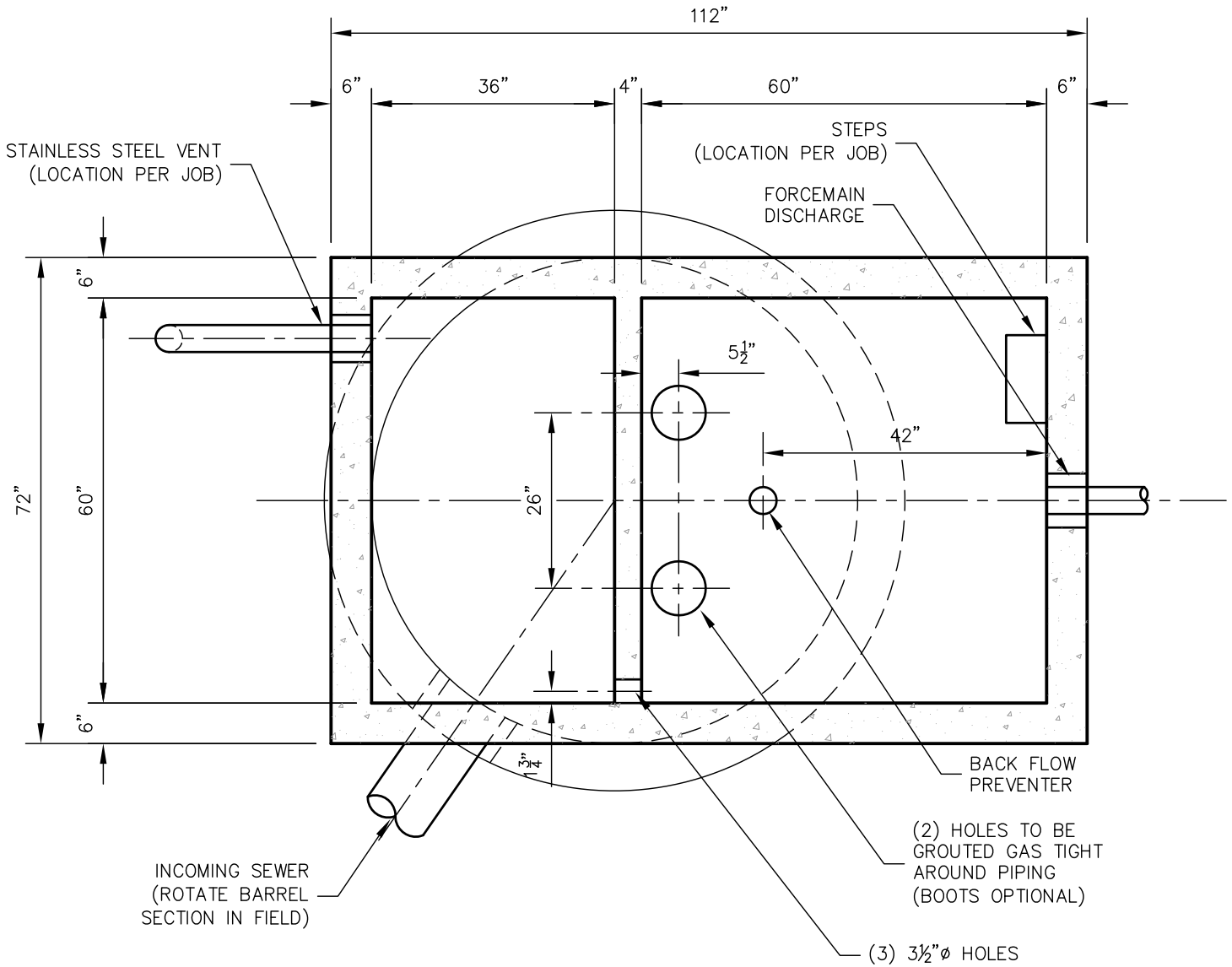
SHEET NO.
1 OF 3

STANDARD DRAWING
72x112x72 I.V.V.
PH: -
FAX: -

WIESER CONCRETE
2815 RILEY ROAD PORTAGE, WI 53901
800-362-7220

DRAWN BY: S. EBERT	SCALE: 1/4"=1'-0"	PRE-POUR:
DATE: OCTOBER, 2008	REV. DATE:	POST-POUR:
FILE: \Standard IVV Drawings\2008\72x100x60 Standard IVV.DWG		

STANDARD DRAWING
72x112x72 I.V.V.



A BOX/TRANSITION DETAIL
1/2"=1'-0"

PRE-POUR
WALL THICKNESS: _____
REINFORCING: _____
POST-POUR
WALL THICKNESS: _____

SHEET NO.
2 OF 3

STANDARD DRAWING
72x118x72 I.V.V.

PH: -
FAX: -

WIESER CONCRETE
2815 RILEY ROAD PORTAGE, WI 53901
800-362-7220

DRAWN BY: S. EBERT

DATE: OCTOBER, 2008

SCALE: 1/2"=1'-0"

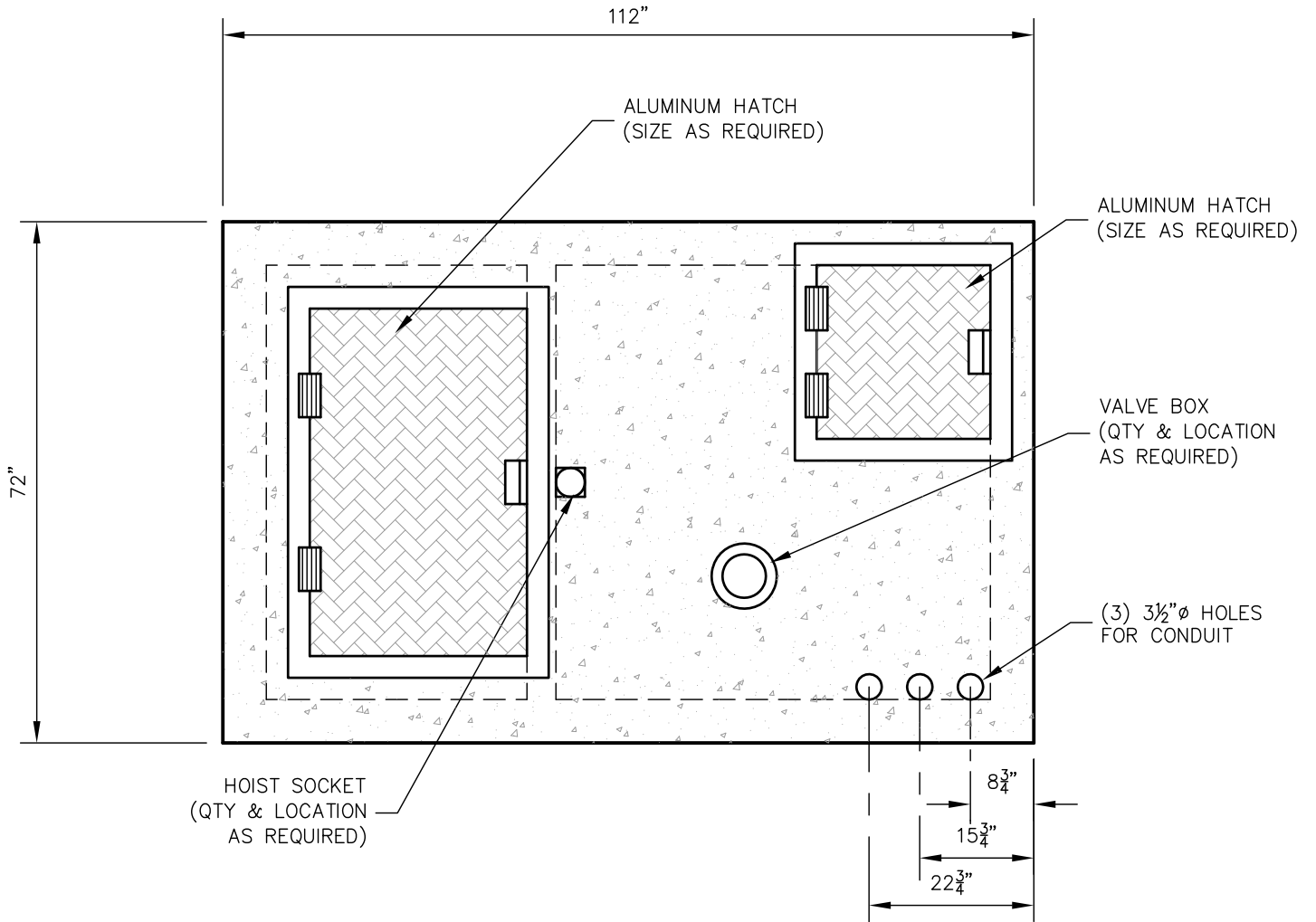
REV.
DATE:

PRE-POUR:

POST-POUR:

FILE: \Standard IVV Drawings\2008\72x100x60 Standard IVV.DWG

STANDARD DRAWING
72x112x72 I.V.V.



(B) COVER DETAIL
1/2"=1'-0"

PRE-POUR
WALL THICKNESS: _____
REINFORCING: _____
POST-POUR
WALL THICKNESS: _____

SHEET NO. 3 OF 3	STANDARD DRAWING 72x118x72 I.V.V.
PH: -	
FAX: -	

WIESER CONCRETE
2815 RILEY ROAD PORTAGE, WI 53901
800-362-7220

DRAWN BY: S. EBERT	SCALE: 1/2"=1'-0"	PRE-POUR:
DATE: OCTOBER, 2008	REV. DATE:	POST-POUR:
FILE: \Standard IVV Drawings\2008\72x100x60 Standard IVV.DWG		