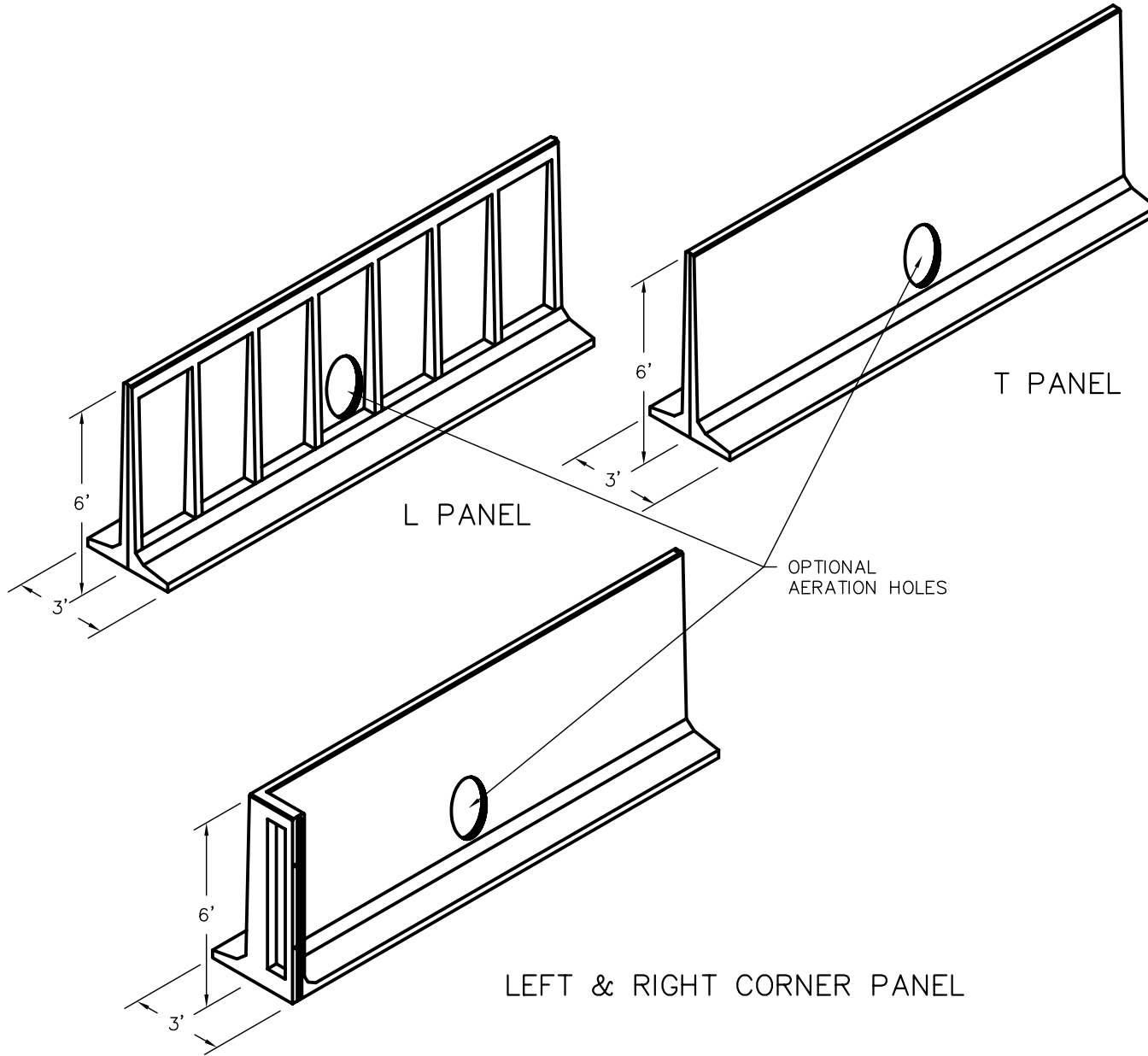


6' L & T PANEL



SHEET NO. 0 / 0		6 FT L & T GRAIN PANEL		WIESER CONCRETE W3716 US HWY10, MAIDEN ROCK, WI 54750 800-325-8456		SCALE: 3/16" = 1'	REV NO.	DATE:
						DRAWN BY:		
						DATE:		
						FILE:		