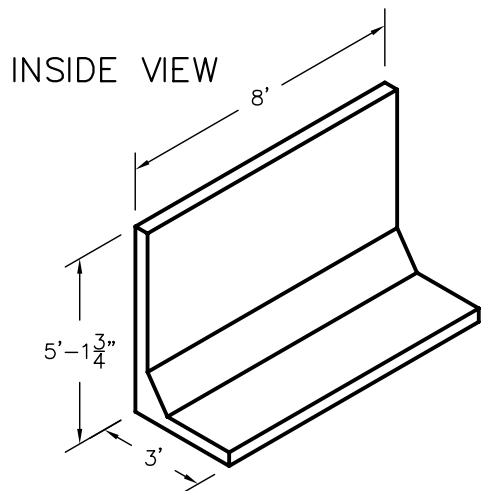
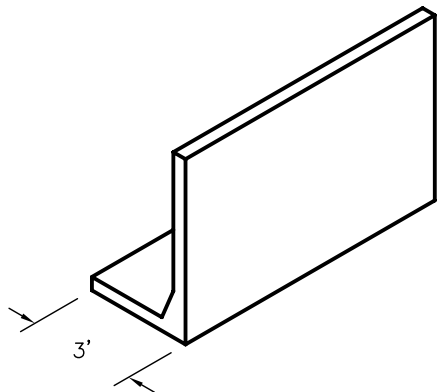


# 5' L PANEL



L PANEL



SHEET NO. 0 / OF 0	5 FT L PANEL		<b>WIESER CONCRETE</b> W3716 US HWY10. MAIDEN ROCK, WI 54750 800-325-8456	SCALE: 3/16" = 1'	REV NO.	DATE:
				DRAWN BY:		
				DATE:		
				FILE:		