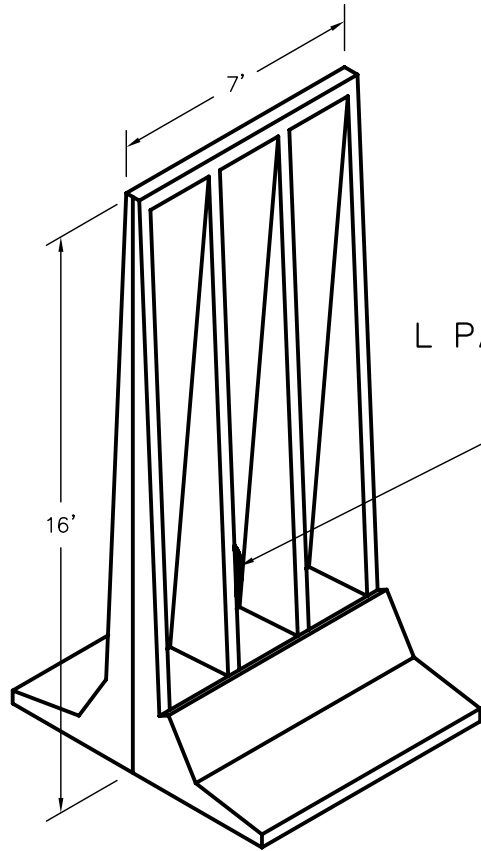
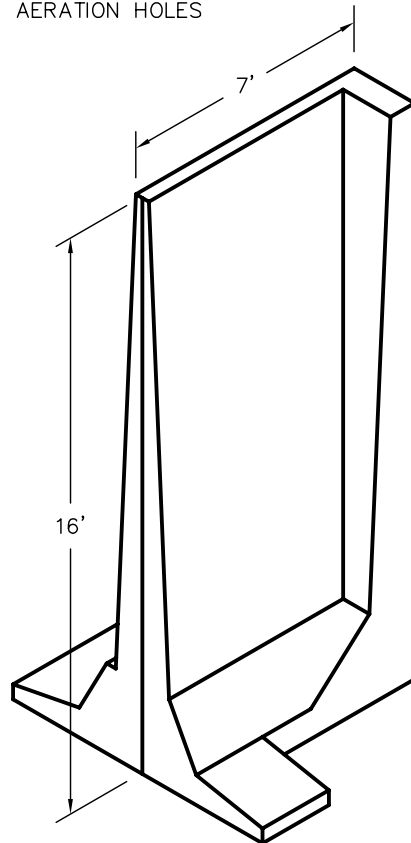


16' L & T PANEL

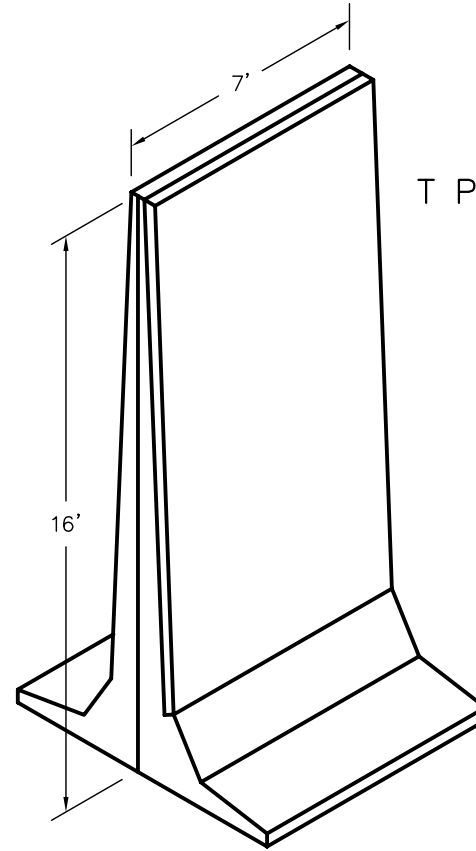


L PANEL

OPTIONAL
AERATION HOLES



CORNER PANEL



T PANEL

16 FT L & T GRAIN PANEL	SCALE: 3/16" = 1'	REV NO.	DATE:
	DRAWN BY: SWT		
WIESER CONCRETE W3716 US HWY10. MAIDEN ROCK, WI 54750 800-325-8456	DATE:		
	FILE:		
SHEET NO.	0 / OF 0		