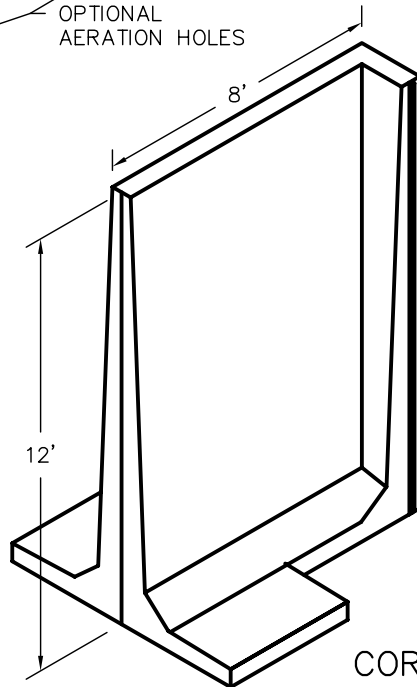
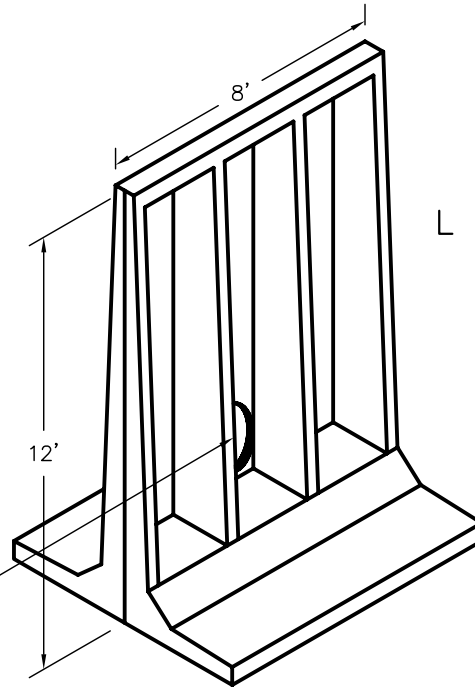
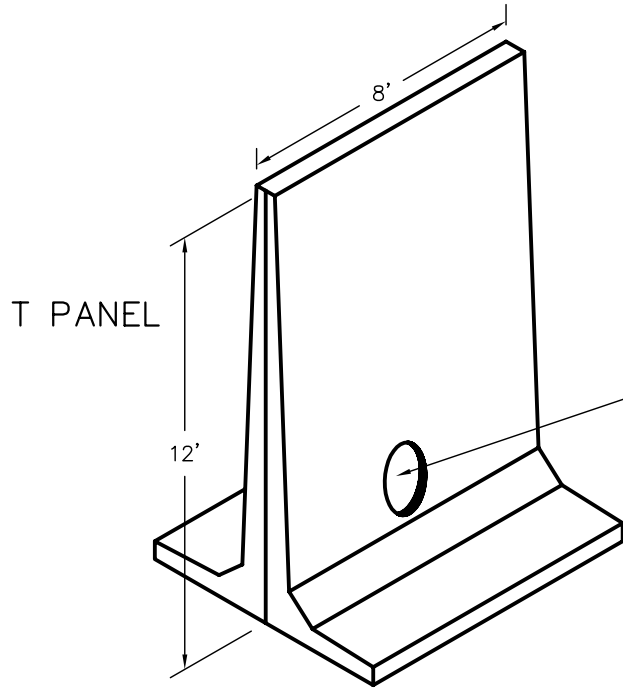


12' L & T PANEL



SCALE: 3/16" = 1'	REV NO.	DATE:
DRAWN BY: SWT		
DATE:		
FILE:		
WIESER CONCRETE		
W3716 US HWY10. MAIDEN ROCK, WI 54750		
800-325-8456		
12 FT L & T GRAIN PANEL		
SHEET NO.		
0	OF	
	0	