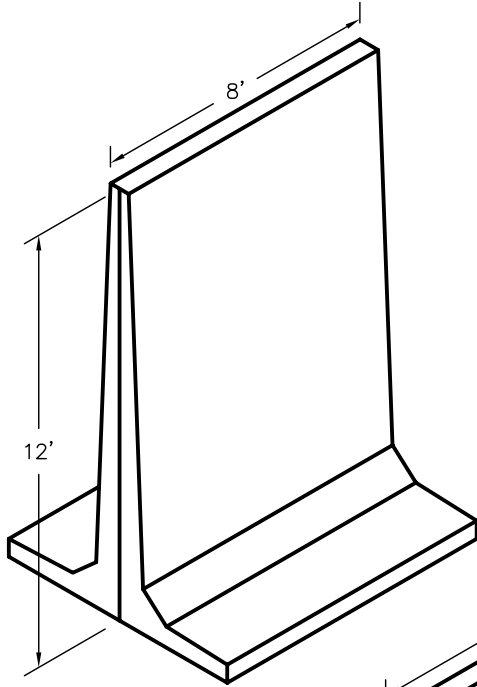
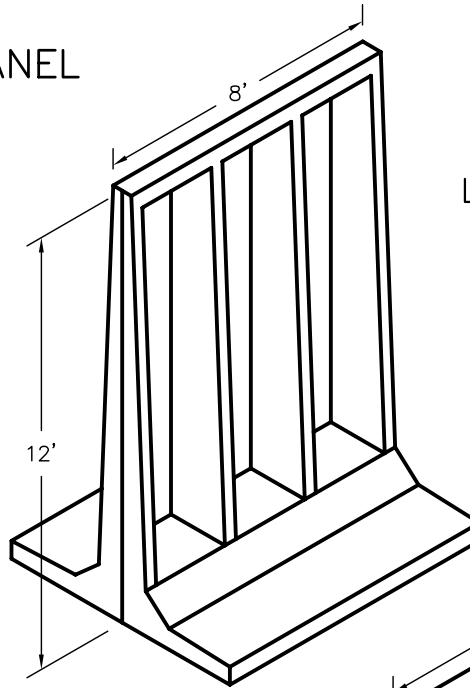


12' L & T PANEL

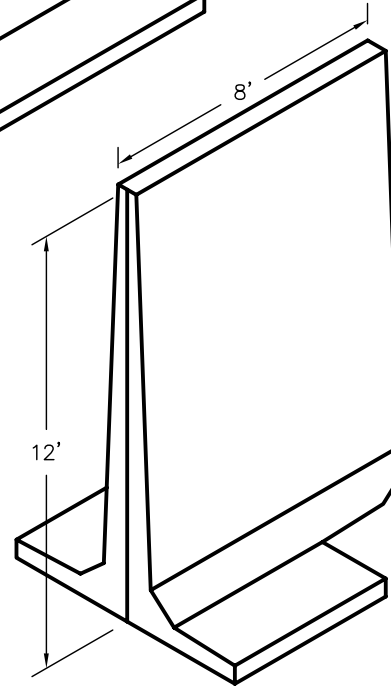
T PANEL



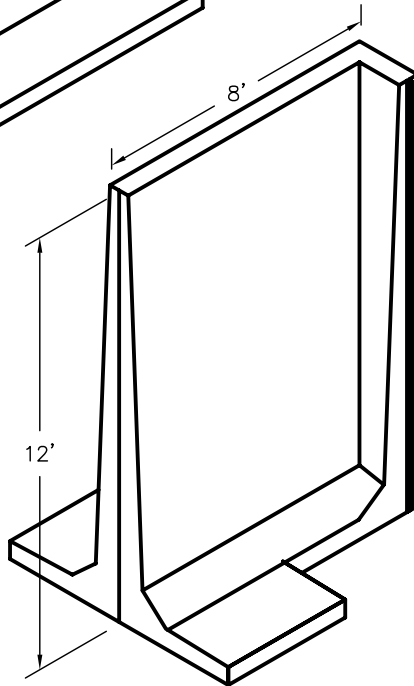
L PANEL



FILLER PANEL



CORNER PANEL



SCALE: 3/16" = 1'		REV NO.	DATE:
DRAWN BY: SWT			
DATE:			
FILE:			
WIESER CONCRETE W3716 US HWY10. MAIDEN ROCK, WI 54750 800-325-8456			
12 FT L & T PANEL			
SHEET NO.			
0 OF 0			