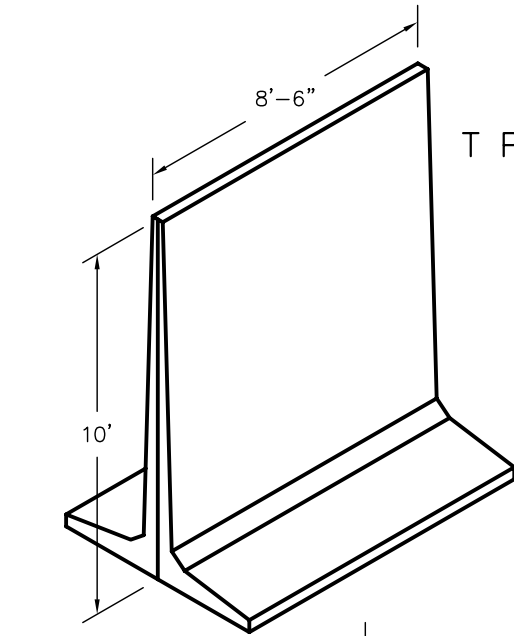
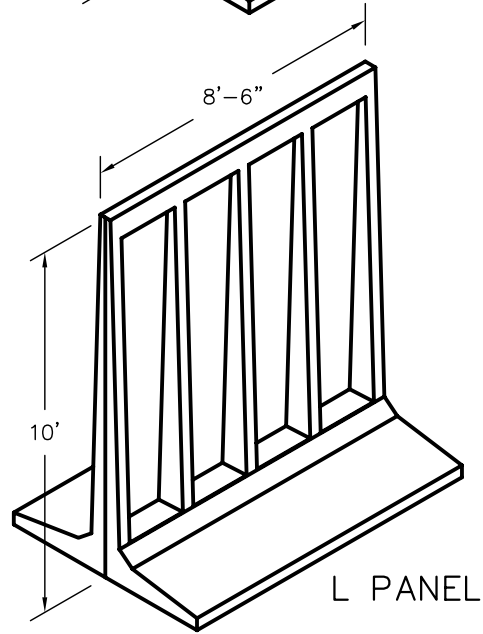


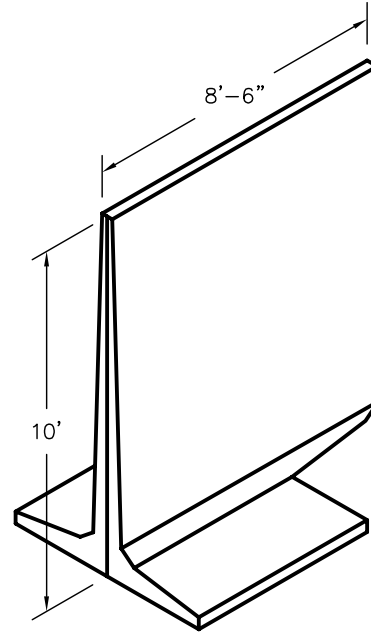
10' L & T PANEL



T PANEL



L PANEL



FILLER PANEL

SHEET NO.
0
OF
0

10 FT L & T PANEL

WIESER CONCRETE
W3716 US HWY10. MAIDEN ROCK, WI 54750
800-325-8456

SCALE: 3/16" = 1'

DRAWN BY: SWT

DATE:

FILE:

REV NO.

DATE: