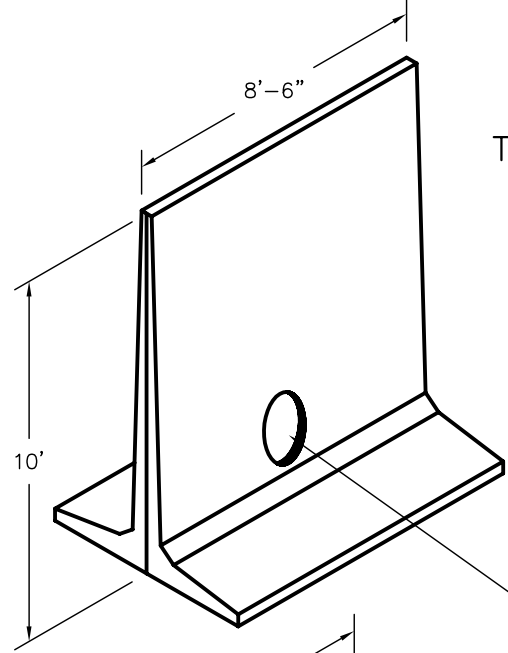
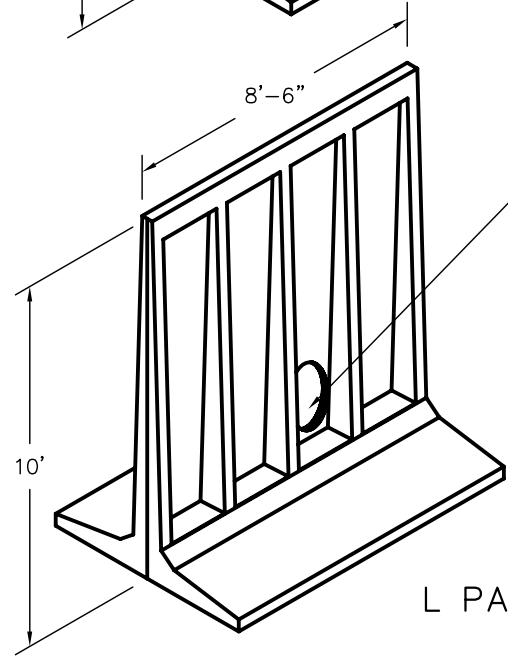


10' L & T PANEL



T PANEL



L PANEL

OPTIONAL
AERATION HOLES

SHEET NO. 0 / OF 0		10 FT L & T GRAIN PANEL		WIESER CONCRETE W3716 US HWY10. MAIDEN ROCK, WI 54750 800-325-8456		SCALE: 3/16" = 1'	REV NO.	DATE:
						DRAWN BY: SWT		
						DATE:		
						FILE:		